

## COMPARTMENT SHELF TRIM

### COMPARTMENT SHELF TRIM ASSEMBLY— All Styles Except "E" Series

#### Removal and Installation

1. Remove rear seat cushion and rear seat back assembly.
2. Remove rear quarter upper trim as described under "Door and Rear Quarter Trim".
3. Loosen back window lower garnish molding.
4. Carefully break cement bond at compartment shelf trim panel valance to front of metal shelf panel.
5. Remove compartment shelf trim panel by lifting up front edge approximately 45° and pulling forward.
6. To install, position trim assembly to shelf panel by inserting rear edge of trim assembly under garnish molding or feature strip. Push trim assembly rearward, align center notch with center depression in metal shelf panel.

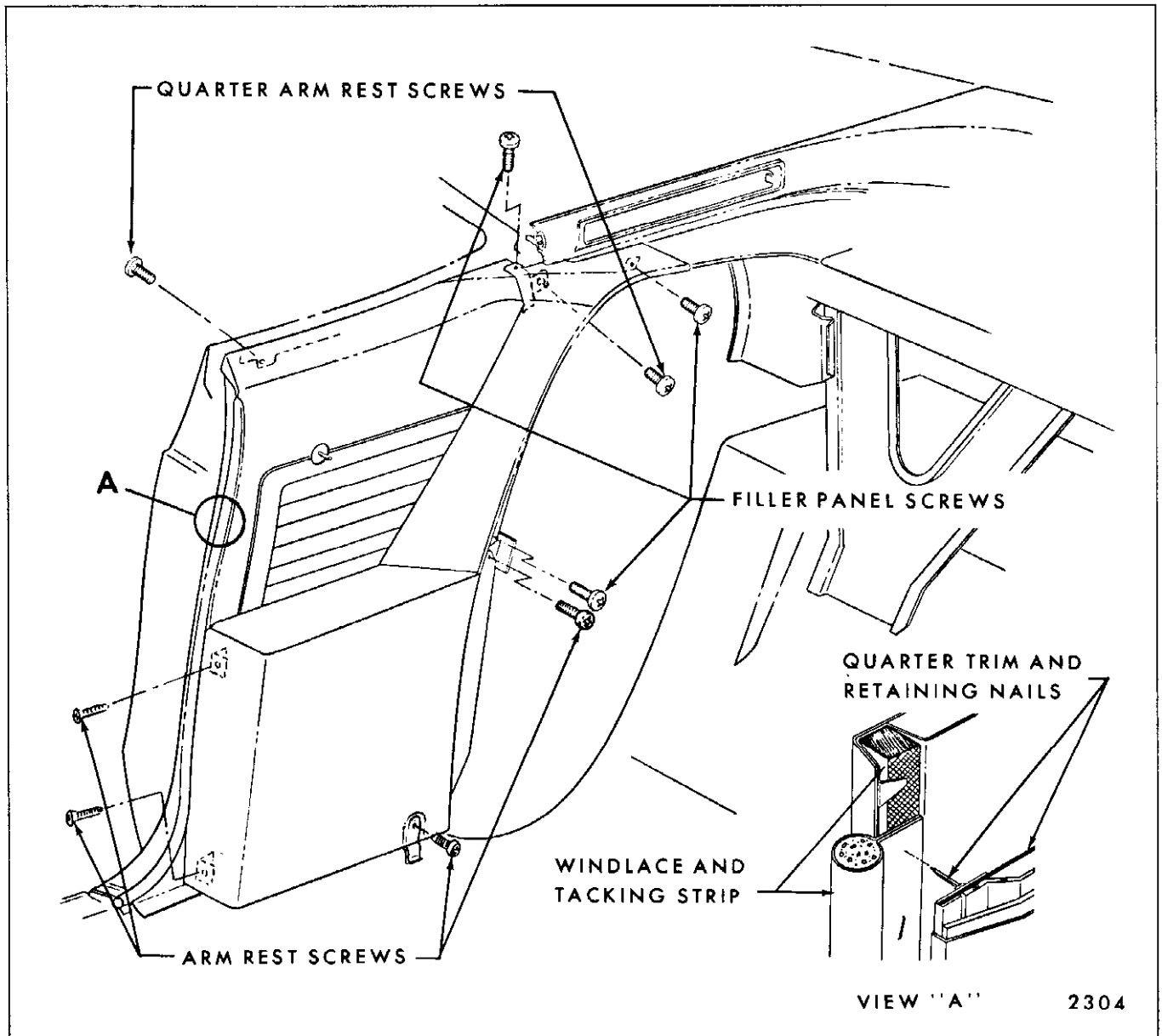


Fig. 14-40—Shelf Trim Removal - "E" Body 39487 Style

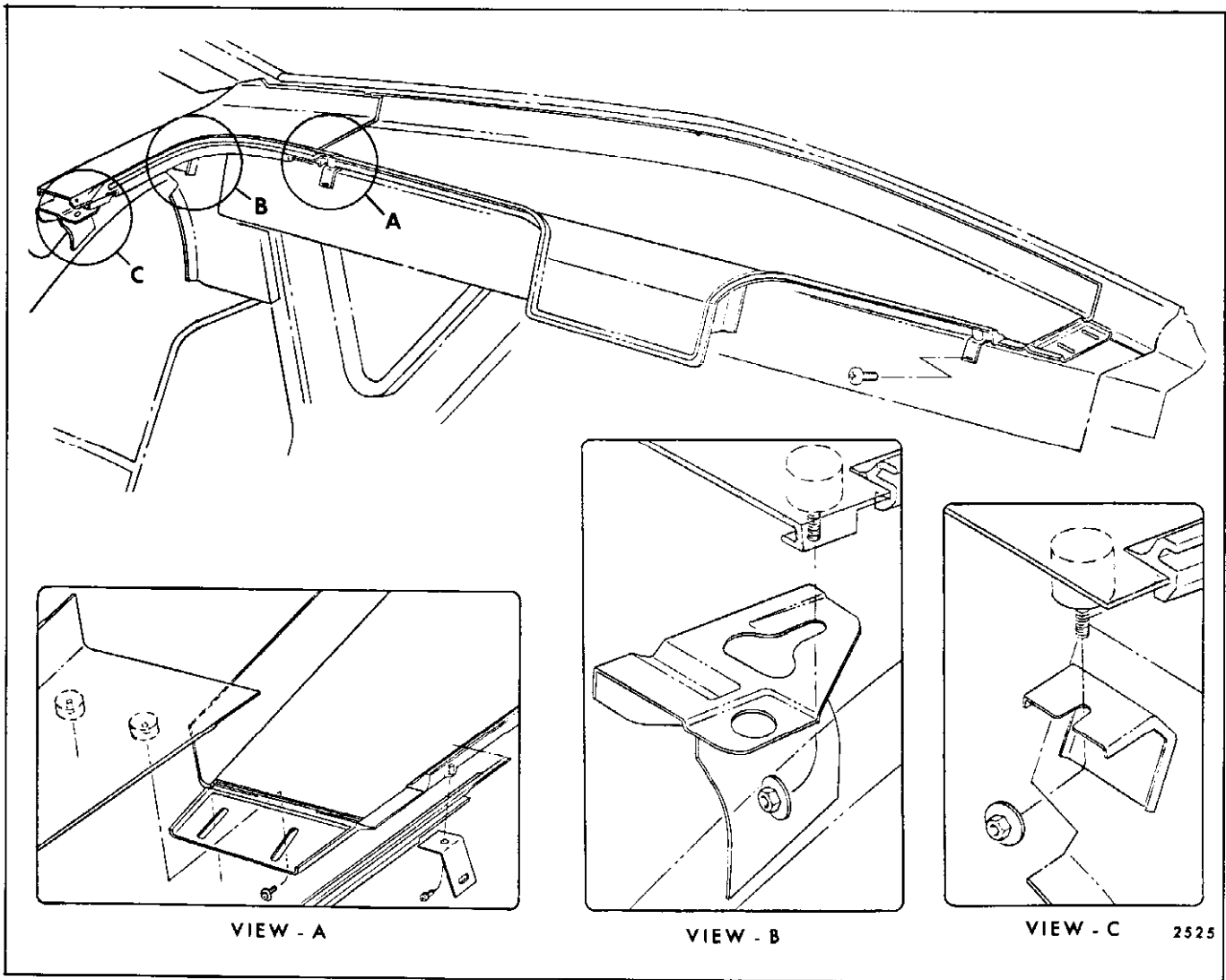


Fig. 14-41—Compartment Shelf Trim Panel - Cadillac "E" Styles

7. Re-cement compartment shelf trim assembly valance to front of metal shelf panel using non-staining vinyl trim adhesive.
8. To install, reverse removal procedure.

3. From inside body, pull center finishing panel forward sufficiently to disengage both front and rear edge of center finishing panel from retainers (see View "B", Fig. 14-39); then, lift panel upward and remove from shelf panel.

4. To install, reverse removal procedure.

### COMPARTMENT SHELF CENTER FINISHING PANEL—Oldsmobile and Buick "E" Styles

#### Removal and Installation

1. Remove rear seat cushion and seat back assemblies as described under "Rear Seats".
2. From inside rear compartment, remove compartment shelf center finishing panel attaching nuts at locations shown in Section "A-A" in Figure 14-39.

### COMPARTMENT SHELF SIDE FINISHING PANELS—Oldsmobile and Buick "E" Styles

1. Remove compartment shelf center finishing panel.
2. a. On 39487 style, remove seat back filler panel attaching screw (Fig. 14-40).  
b. On 39687 and 49487 styles, remove rear

quarter trim assembly, as previously described.

3. Remove compartment shelf side finishing panel attaching screws (Fig. 14-39) and remove side finishing panel. On Oldsmobile styles, disconnect courtesy lamp feed wire.
4. To install, reverse removal procedure.

### COMPARTMENT SHELF SIDE AND CENTER TRIM PANELS— Cadillac "E" Styles

The compartment shelf trim assembly consists of four individual panels joined together with screws to form a single unit. It is necessary to remove the assembly to service the individual sections. The assembly is retained with integral studs and nuts at five locations. Additional retention is obtained using bend-over metal tabs on the center trim section.

#### Removal and Installation

1. Remove rear seat cushion and rear seat back assemblies as described under "Rear Seats".
2. Remove rear quarter trim assembly as described under "Door and Rear Quarter Trim".
3. Remove back window lower garnish molding and back window lower corner escutcheons.
4. Remove rear compartment side panel attaching screws (View "A", Fig. 14-41). Loosen compartment shelf to metal foundation nuts as indicated in View "C", Fig. 14-41. Remove center section attaching nuts (View "A & B", Fig. 14-42 and View "B", Fig. 14-41).

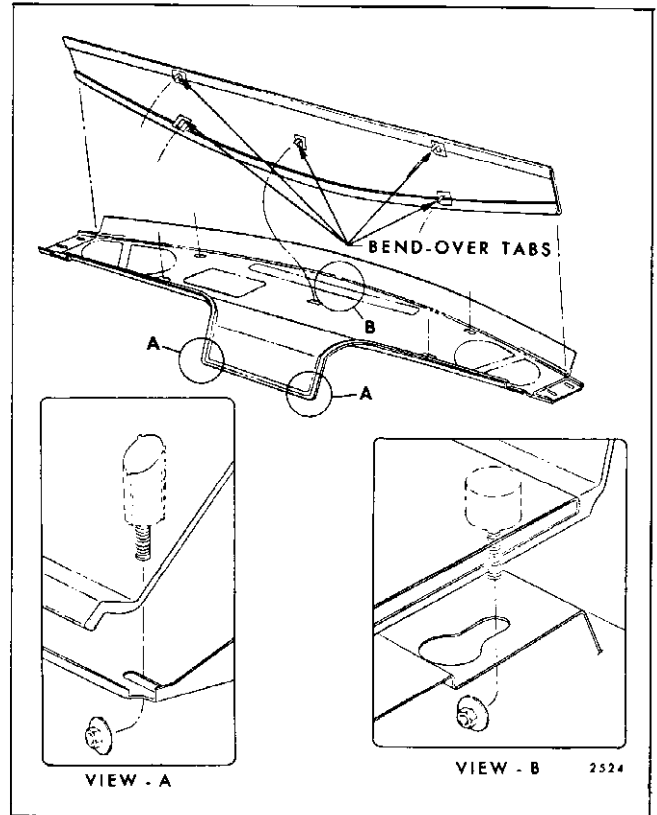


Fig. 14-42—Compartment Shelf Center Trim Panel -  
Cadillac "E" Styles

5. To remove compartment shelf trim panel from shelf panel, pull panel forward and straight out.
6. To remove the center trim panel, bend metal tabs (Fig. 14-42) to straight down position and detach from center base panel.
7. To install, reverse removal procedure.