

## REAR SEAT

### REAR SEAT CUSHION—All Styles

#### Removal

1. Push lower forward edge of cushion rearward and pull cushion upward until wire protrusions on seat bottom frame disengage from floor pan retainers at each side of seat.

**NOTE:** On "E" Body Styles lift up front of seat cushion sharply to disengage cushion from pan retainers.

2. Pull cushion forward and carefully remove from body.

#### Installation

1. Carefully lift cushion into body using caution not to damage adjacent trim.
2. Position rear edge of cushion under rear seat back assembly.
3. Center wire protrusions on seat bottom with retainers on or in floor pan.

**IMPORTANT:** If seat bottom frame protrusions are not properly centered in relation to retainers on floor pan, proper engagement and placement of cushion will be extremely difficult.

4. Push forward edge of cushion rearward and downward until protrusions are properly engaged behind retainers on floor pan.

### REAR SEAT BACK ASSEMBLY— All Styles Except "F and Z" Body With Folding Rear Seat Back

#### Removal and Installation

1. Remove rear seat cushion assembly.
2. At bottom of seat back bend out tabs and where present, remove screws securing the lower portion of the seat back to floor panel. On convertible styles, remove screw from rear side of seat back panel support securing upper corners of seat back to panel.

**NOTE:** If screws are used to secure center of rear side to seat back panel it will be necessary to remove screws from inside rear compartment.

3. Pull seat back assembly out at the bottom until seat back clears body tabs; then, on all styles except "E" Styles raise seat back upward until disengaged from hangers on the seat back panel support. On "E" Styles push seat back downward until wire protrusions at top of seat back are disengaged from slots in seat back panel support.

4. Remove seat back assembly from body.
5. To install, reverse removal procedure, making certain that all attaching body tabs and hangers have industrial body tape applied to them to act as an anti-squeak.

### FOLDING REAR SEAT BACK— “F” Body Styles

#### Removal and Installation

1. Remove rear seat cushion and lower folding rear seat back.
2. At both right and left seat back link remove stud nut securing seat back link to anchor plate on floor pan (Fig. 15-44).
3. Lift seat back assembly upward to disengage tab of link from slot in anchor plate (Fig. 15-44), and remove seat back assembly from body.
4. To install folding seat back assembly, reverse removal procedure.

### FOLDING REAR SEAT BACK AND FILLER PANEL—Corvair

#### FOLDING REAR SEAT BACK ASSEMBLY

#### Removal and Installation

1. Remove rear seat back cushion, as previously described.
2. Lower folding seat back; then, remove three screws from both sides of seat back securing seat back to folding linkage.
3. Carefully disengage seat back from linkage and remove folding seat back from body.
4. To install, reverse removal procedure.

#### FOLDING REAR SEAT BACK LINKAGE

#### Removal and Installation

1. Remove rear seat cushion and folding seat back, as previously described.
2. Mark position of linkage on floor pan. Remove bolts securing folding seat back linkage to floor pan and remove linkage.

3. To install, reverse removal procedure. Align linkage on floor pan with previously made alignment marks.

### REAR FOLDING SEAT BACK FILLER PANEL— 10039 Style

#### Removal and Installation

1. Remove rear seat cushion, as previously described; then lower folding seat back.
2. Lift up seat back filler panel sufficiently to gain access to attaching screws and prop panel in this position.  
  
**NOTE:** Prop should be wide enough to bear against hinge and hold hinge in position during removal of hinge attaching screws.
3. Remove filler panel hinge attaching screws; then remove prop and remove filler panel.
4. To install, reverse removal procedure.

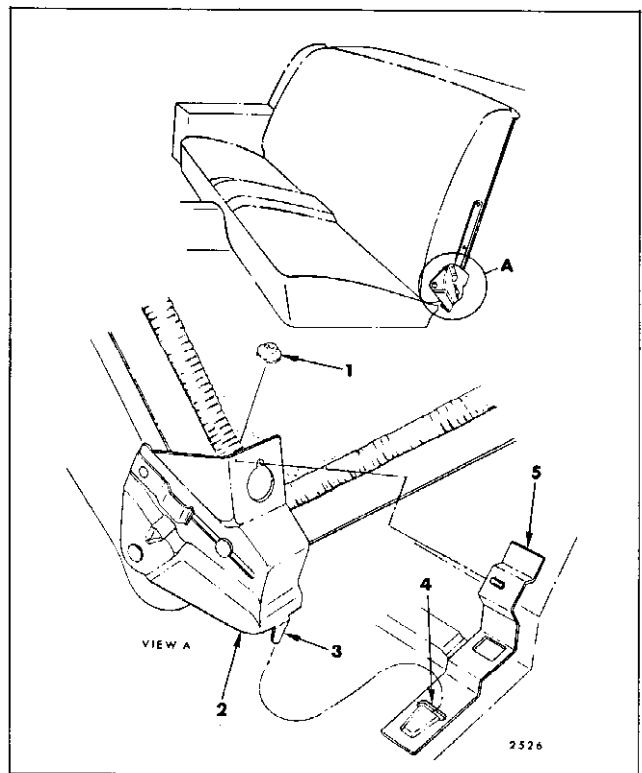


Fig. 15-44—Folding Rear Seat Back Assembly -  
“F” Body Styles

- |                                  |   |
|----------------------------------|---|
| 1. Link-to-Anchor Plate Stud Nut | 4. Anchor Plate Slot                                  |
| 2. Folding Seat Back Link        | 5. Folding Seat Back Link Anchor Plate (on floor pan) |
| 3. Link Tab                      |   |

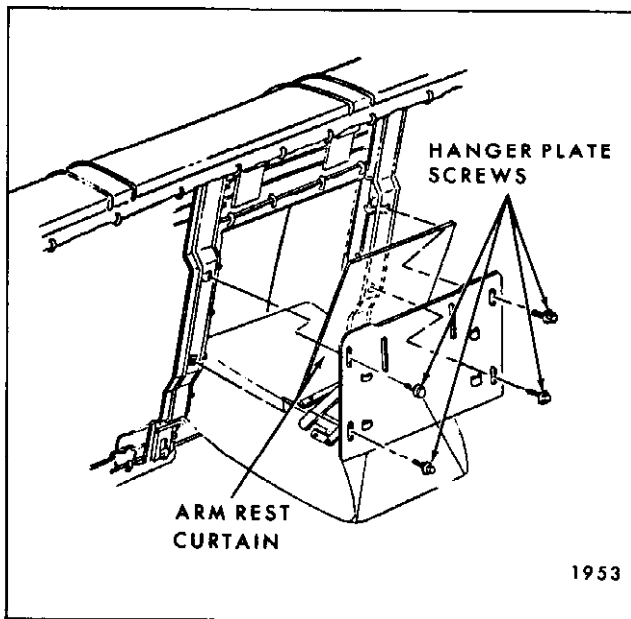


Fig. 15-45—Rear Seat Back Arm Rest and Hanger Plate

### REAR SEAT BACK CENTER ARM REST AND CURTAIN

#### Removal and Installation

1. Lower rear seat back arm rest. On all styles

except 68069 carefully pull upper portion of arm rest curtain out of slot in hanger plate and fold curtain forward. On 68069 Style fold arm rest flipper forward.

2. Remove four screws securing arm rest to hanger plate linkage then, remove arm rest from seat back.
3. To install, reverse removal procedure.

### REAR SEAT BACK CENTER ARM REST HANGER PLATE AND LINKAGE

#### Removal and Installation

1. Remove rear seat back center arm rest; then, remove two screws securing arm rest hanger plate to body seat back support brace. Remove rear seat back.
2. On back side of rear seat back, remove four screws securing arm rest hanger plate to seat back supports; then, carefully remove arm rest and hanger plate assembly from seat back (Fig. 15-45).
3. To install, reverse removal procedure. Prior to tightening hanger plate screws move arm rest assembly upward until top is snug against top of opening in seat back.