

METHODS OF MOLDING RETENTION
 CADILLAC "D" BODIES - 69700 SERIES
 FIGURE 17-123

Key	Molding Name	Series or Styles	Screws	Spring (Self-Retained)	Snap-On Clips or Retainers On Panel	Snap-On Clips On Molding	Studs With Attaching Nuts	Engages With Other Moldings	Remove Hardware Or Trim
1	Windshield Reveal Upper	All			X			Windshield Reveal Side	
2	Windshield Reveal Side	All			X			Windshield Reveal Lower	
3	Windshield Reveal Lower	All	X						Cowl Air Intake Grille
4	Front Door Window Frame Front Reveal	All	X						
5	Front Door Window Frame Upper Reveal	All	X					Front Door Window Frame Front Reveal	
6	Front Door Window Frame Rear Reveal	All		X				Front Door Window Frame Upper Reveal	
7	Rear Door Window Frame Front Reveal	All		X				Rear Door Window Frame Upper Reveal	
8	Rear Door Window Frame Upper Reveal	All	X						
9	Rear Door Window Frame Rear Reveal	All		X				Rear Door Window Frame Upper Reveal	
10	Rear Quarter Window Reveal Vertical	All	X					Rear Quarter Window Reveal Upper Front, Rear Quarter Window Reveal Upper Rear and Lower	Weatherstrip and Retainer
11	Rear Quarter Window Reveal Upper Front	All	X						Headlining at Side Area
12	Rear Quarter Window Reveal Upper Rear and Lower	All	X				X	Rear Quarter Window Reveal Upper Front	Rear Quarter Trim Pad
13	Roof Panel Emblem	All					X		Headlining at Quarter Area
14	Front Door Window Belt Reveal (at Vent)	All	X						Front Door Vent Assembly
15	Front Door Window Belt Reveal	All	X					Front Door Window Belt Reveal (at Vent)	Front Door Trim Pad

METHODS OF MOLDING RETENTION
 CADILLAC "D" BODIES - 69700 SERIES
 FIGURE 17-123

Key	Molding Name	Series or Styles	Screws	Spring (Self-Retained)	Snap-On Clips or Retainers On Panel	Snap-On Clips On Molding	Studs With Attaching Nuts	Engages With Other Moldings	Remove Hardware Or Trim
16	Rear Door Window Belt Reveal	All	X						Rear Door Trim Pad
17	Front Door Outer Panel	All	X		X		X		
18	Rear Door Outer Panel	All	X		X		X		
19	Rear Quarter Outer Panel	All				X	X		Rear Quarter Trim Pad. Rear Compartment Side Trim
20	Rear Quarter Outer Panel Emblem						X		Rear Compartment Side Trim

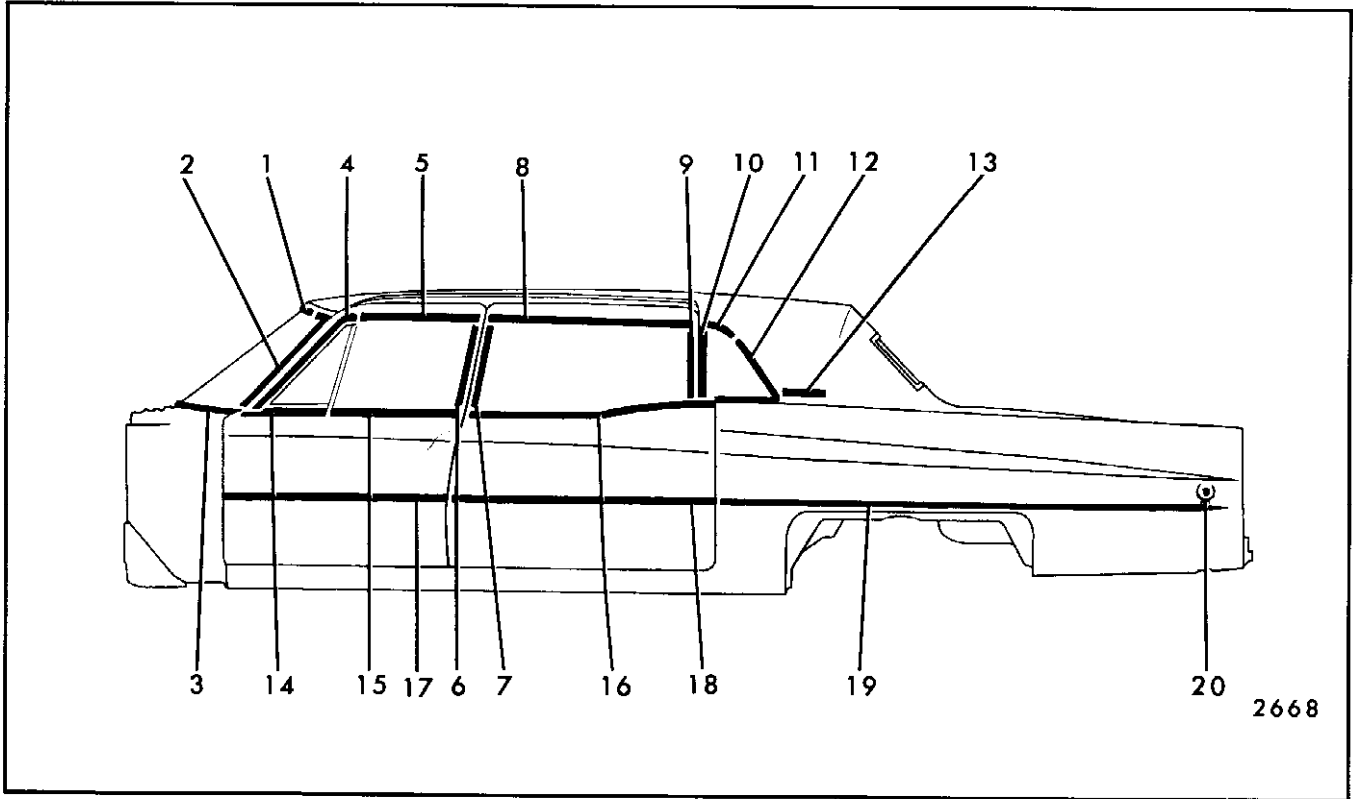


Fig. 17-123—Cadillac 69723-33 Styles