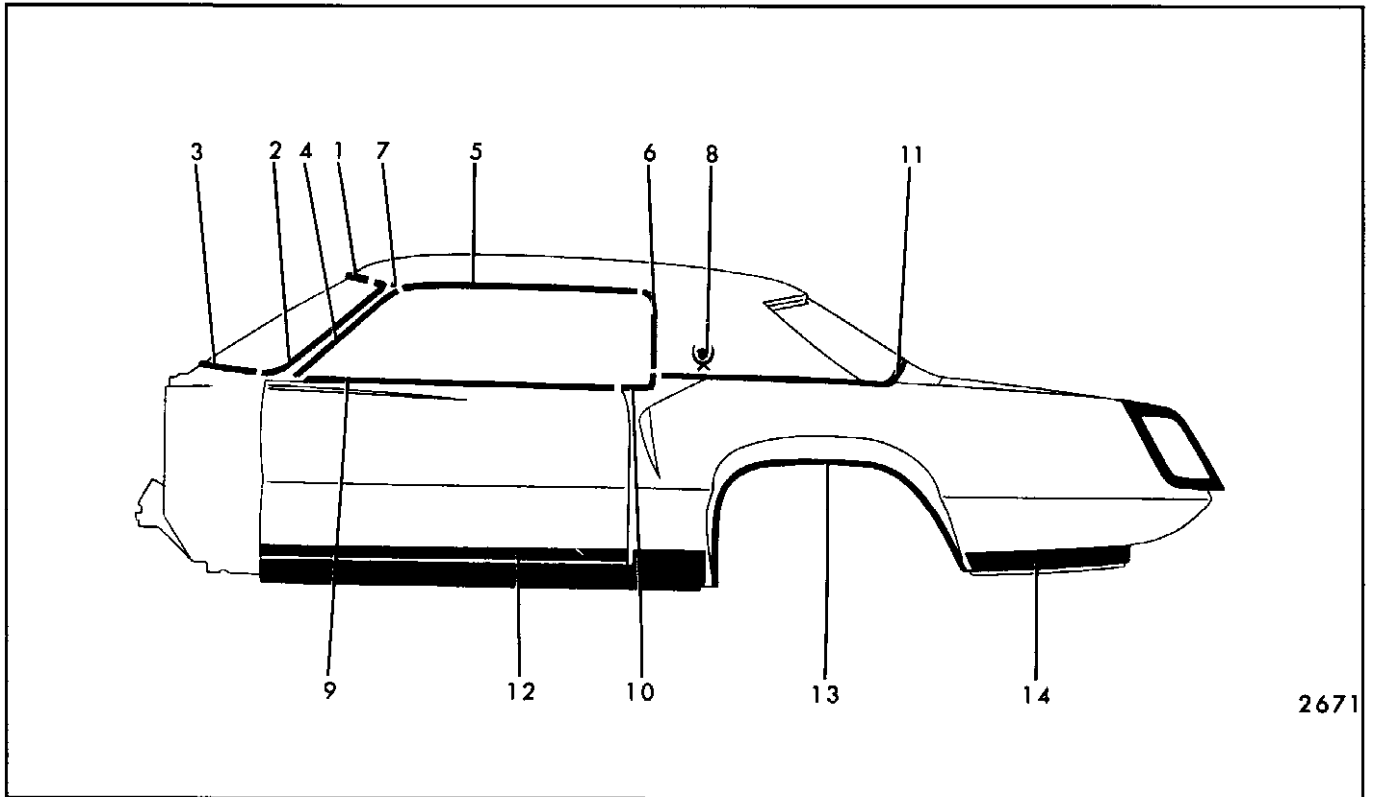


METHODS OF MOLDING RETENTION
 CADILLAC "E" BODIES - 69300 SERIES
 FIGURES 17-124 AND 17-125

Key	Molding Name	Series or Styles	Screws	Spring (Self-Retained)	Snap-On Clips or Retainers On Panel	Snap-On Clips On Molding	Studs With Attaching Nuts	Engages With Other Moldings	Remove Hardware Or Trim
1	Windshield Reveal Upper	All			X				
2	Windshield Reveal Side	All			X			Windshield Reveal Upper	
3	Windshield Reveal Lower	All			X			Windshield Reveal Side	
4	Windshield Pillar Drip	All		X					
5	Roof Drip Molding Front Scalp	All		X				Windshield Pillar Drip	
6	Roof Drip Molding Rear Scalp	All	X	X				Roof Drip Molding Scalp Front	
7	Roof Panel Front Cover Finishing	(With Vinyl Top Option)	X	X				Windshield Pillar Drip	Windshield Reveal Upper
8	Roof Panel Emblem	All					X		Headlining at Rear Quarter Area
9	Front Door Window Belt Reveal	All	X			X			Rubber Bumper on Front Door Window Lower Stop
10	Rear Quarter Window Belt Reveal	All	X			X		Roof Drip Molding Rear Scalp	
11	Rear Quarter Belt Reveal	(With Vinyl Top Option)			X		X		Headlining at Rear Quarter Area
12	Front Door Outer Panel Lower	All	X		X				
13	Rear Wheel Opening	All	X						
14	Rear of Rear Wheel Opening	All	X		X				
15	Back Window Reveal Upper	All			X			Back Window Reveal Upper Corner Escutcheon	
16	Back Window Reveal Side	All			X			Back Window Reveal Upper Corner Escutcheon	

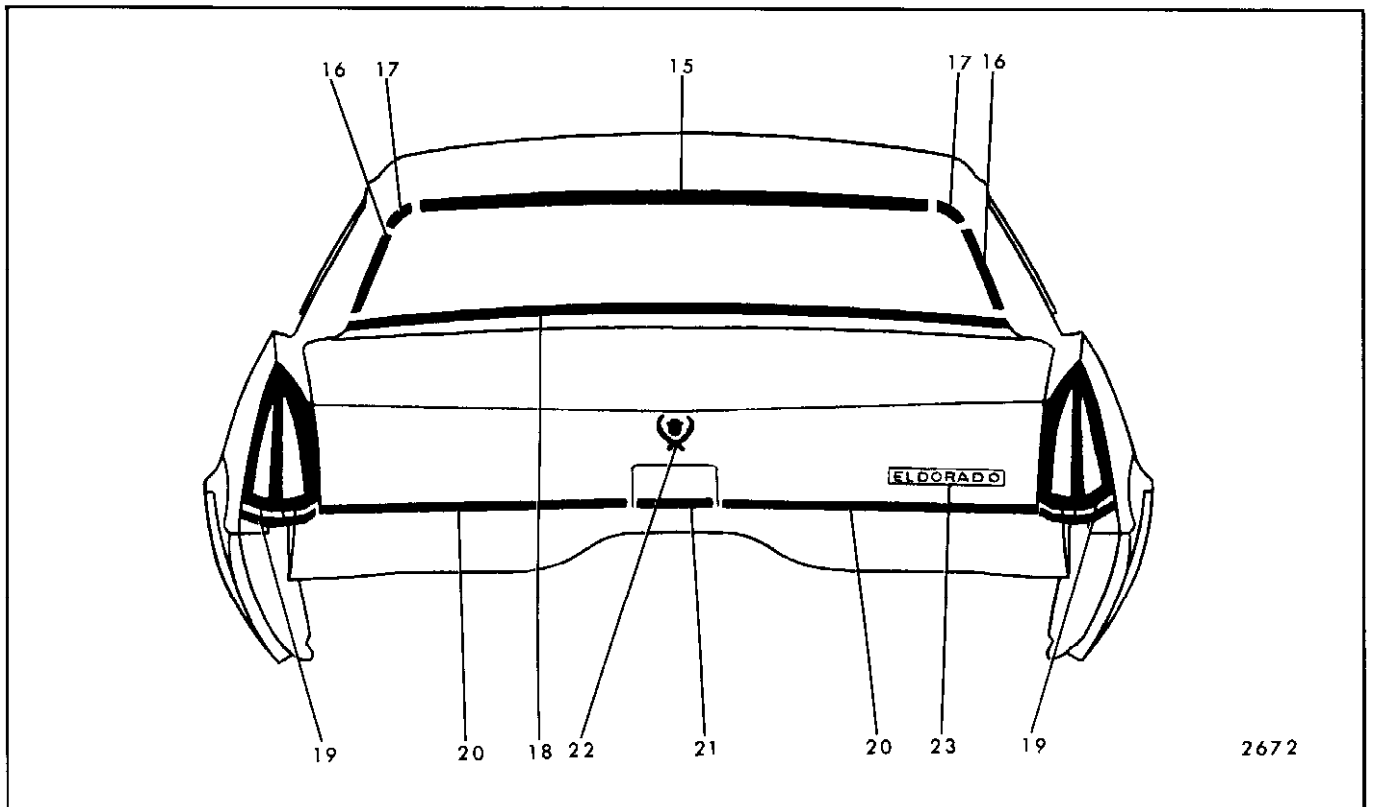
METHODS OF MOLDING RETENTION
 CADILLAC "E" BODIES - 69300 SERIES
 FIGURES 17-124 AND 17-125

Key	Molding Name	Series or Styles	Screws	Spring (Self-Retained)	Snap-On Clips or Retainers On Panel	Snap-On Clips On Molding	Studs With Attaching Nuts	Engages With Other Moldings	Remove Hardware Or Trim
17	Back Window Reveal Upper Corner Escutcheon	All			X				
18	Back Window Reveal Lower	All			X			Back Window Reveal Sides	
19	Rear of Rear Quarter Extension	All	X						
20	Rear Compartment Lid Outer Panel	All	X						
21	Gas Tank Filler Door	All	X						
22	Rear Compartment Lid Outer Panel Emblem	All					X		
23	Rear Compartment Lid Outer Panel Name Plate	All					X		



2671

Fig. 17-124—Cadillac 69347 Style



2672

Fig. 17-125—Cadillac 69347 Style