

**METHODS OF MOLDING RETENTION**  
**CHEVROLET "B" BODIES - 15000 AND 16000 SERIES**  
**FIGURES 17-15 THROUGH 17-27**

Key	Molding Name	Series or Styles	Screws	Spring (Self-Retained)	Snap-On Clips or Retainers On Panel	Snap-On Clips On Molding	Studs With Attaching Nuts	Engages With Other Moldings	Remove Hardware Or Trim
1	Windshield Reveal Upper	All			X			Windshield Reveal Side	
2	Windshield Reveal Side	All			X			Windshield Reveal Lower	
3	Windshield Reveal Lower	All	X						Cowl Air Intake Grille
4	Windshield Pillar Drip	All (Except 67)	X						Windshield Pillar Weatherstrip and Weatherstrip Retainer
5	Windshield Pillar Finishing	67	X						Windshield Pillar Weatherstrip and Weatherstrip Retainer
6	Windshield Header	67	X					Windshield Pillar Finishing Windshield Upper Reveal	Rr. View Mirror Support. Sunshade Support
7	Roof Drip Scalp	11,39,69,87		X				Windshield Pillar Drip	
8	Roof Drip Molding Scalp Front	35,45,47		X				Windshield Pillar Drip	
9	Roof Drip Molding Scalp Rear	35,45,47		X				Roof Drip Molding Scalp Front	
10	Front Door Window Frame Scalp Front	11,35,45,69		X					
11	Front Door Window Frame Scalp Upper	11,35,45,69		X				Front Door Window Frame Scalp Front	
12	Front Door Window Frame Scalp Rear	11,35,45,69		X				Front Door Window Frame Scalp Upper	
13	Front Door Window Belt Reveal (at Vent)	All	X						Front Door Vent. Assembly
14	Front Door Window Belt Reveal	16647	X		X			Front Door Window Belt Reveal (at Vent)	Rubber Bumper on Front Door Window Lower Stop

METHODS OF MOLDING RETENTION  
CHEVROLET "B" BODIES - 15000 AND 16000 SERIES  
FIGURES 17-15 THROUGH 17-27

Key	Molding Name	Series or Styles	Screws	Spring (Self-Retained)	Snap-On Clips or Retainers On Panel	Snap-On Clips On Molding	Studs With Attaching Nuts	Engages With Other Moldings	Remove Hardware Or Trim
15	Rear Door Window Frame Scalp Front	35,45,69		X				Rear Door Window Frame Scalp Upper	
16	Rear Door Window Frame Scalp Upper	35,45,69		X				Rear Door Window Frame Scalp Rear (35,45 Styles Only)	
17	Rear Door Window Frame Scalp Rear	35,45		X					
18	Rear Quarter Window Reveal Front	11			X			Rear Quarter Window Reveal Upper	
19	Rear Quarter Window Reveal Upper	11	X						
20	Rear Quarter Window Belt Reveal	16647	X		X				Rear Quarter Window Lower Stop
21	Rear Quarter Window Reveal Upper	35,45			X			Rear Quarter Window Reveal Lower Escutcheon	
22	Rear Quarter Window Reveal Lower	35,45			X			Rear Quarter Window Reveal Upper	
23	Rear Quarter Window Reveal Lower Escutcheon	35,45			X				
24	Rear Quarter Belt Reveal	11,39,47,69,87			X		X		Headlining at Rear Quarter Area
25	Rear Quarter Belt Pinch Weld Finishing	67	X			X			
26	Front Door Outer Panel	15600,16400 16639,16647	X		X				
27	Rear Door Outer Panel	15600,16400 16639	X		X				
28	Rear Quarter Outer Panel	15611  15669 15635-45 Rt 15635-45 Lt			X X X		X X X		Rear Quarter Trim Pad  Rear Quarter Trim
29	Front of Rear Wheel Opening	16400 16639-87	X		X		X		

**METHODS OF MOLDING RETENTION**  
**CHEVROLET "B" BODIES - 15000 AND 16000 SERIES**  
**FIGURES 17-15 THROUGH 17-27**

Key	Molding Name	Series or Styles	Screws	Spring (Self-Retained)	Snap-On Clips or Retainers On Panel	Snap-On Clips On Molding	Studs With Attaching Nuts	Engages With Other Moldings	Remove Hardware Or Trim
30	Rear Wheel Opening	16635-45 16800	X						
31	Rear of Rear Wheel Opening	16400 16639-47  16800	X		X		X		Rear Quarter Trim (16435-45 Rt. Side Only)
32	Rear Quarter Outer Panel Name Plate	15400,15600 16400				X	X		Rear Quarter Trim (35-45 Styles)
33	Roof Panel Emblem	16639-47					X		Headlining at Rear Quarter Area
34	Front Door Outer Panel Transfer Finishing Upper	16635-45	X		X				
35	Front Door Outer Panel Transfer Finishing Lower	16635-45	X		X				
36	Rear Door Outer Panel Transfer Finishing Upper	16635-45	X		X				
37	Rear Door Outer Panel Transfer Finishing Lower	16635-45	X		X				
38	Rear Quarter Outer Panel Transfer Finishing Upper	16635-45			X				
39	Front of Rear Wheel Opening Transfer Finishing Lower	16635-45	X				X		
40	Rear of Rear Wheel Opening Transfer Finishing Lower	16635-45			X				
41	Rear Quarter Outer Panel Transfer Finishing Rear Vertical	16635-45				X			

METHODS OF MOLDING RETENTION  
 CHEVROLET "B" BODIES - 15000 AND 16000 SERIES  
 FIGURES 17-15 THROUGH 17-27

Key	Molding Name	Series or Styles	Screws	Spring (Self-Retained)	Snap-On Clips or Retainers On Panel	Snap-On Clips On Molding	Studs With Attaching Nuts	Engages With Other Moldings	Remove Hardware Or Trim
42	Rear of Rear Quarter Outer Panel	15600,16400 16600,16800 (Except 35-45)	X						Rear of Rear Quarter Extension
43	Rear of Rear Quarter Outer Panel Upper	16635-45	X			X			
44	Rear of Rear Quarter Outer Panel Lower	35-45	X			X			
45	Back Window Reveal Upper	All (Except 35,45,67)			X			Back Window Reveal Side	
46	Back Window Reveal Side	All (Except 35,45,67)			X				
47	Back Window Reveal Lower	All (Except 35,45,67)			X			Back Window Reveal Side	
48	Back Body Opening Upper Reveal	35,45	X					Back Body Opening Reveal Side	Upper Glass Run Channel
49	Back Body Opening Side Reveal	35,45	X						
50	Tailgate Window Reveal	35,45	X			X			
51	Tailgate Outer Panel Belt Reveal (Optional)	35,45	X			X			
52	Back Body Pillar Belt Finishing (Optional)	35,45	X			X			
53	Rear Compartment Lid Outer Panel	15600,16400 16600,16800	X				X		
54	Tailgate Outer Panel Lower	35,45				X	X		Tailgate Trim Panel Assembly
55	Tailgate Outer Panel Transfer Finishing Upper	16635,45	X			X			
56	Rear Compartment Lid Outer Panel Emblem	All (Except 35-45)	X				X		
57	Rear Compartment Lid Outer Panel Name Plate	All (Except 35-45)					X		
58	Tailgate Outer Panel Emblem	35-45					X		Tailgate Trim Panel Assembly
59	Tailgate Outer Panel Name Plate	35-45					X		Tailgate Trim Panel Assembly

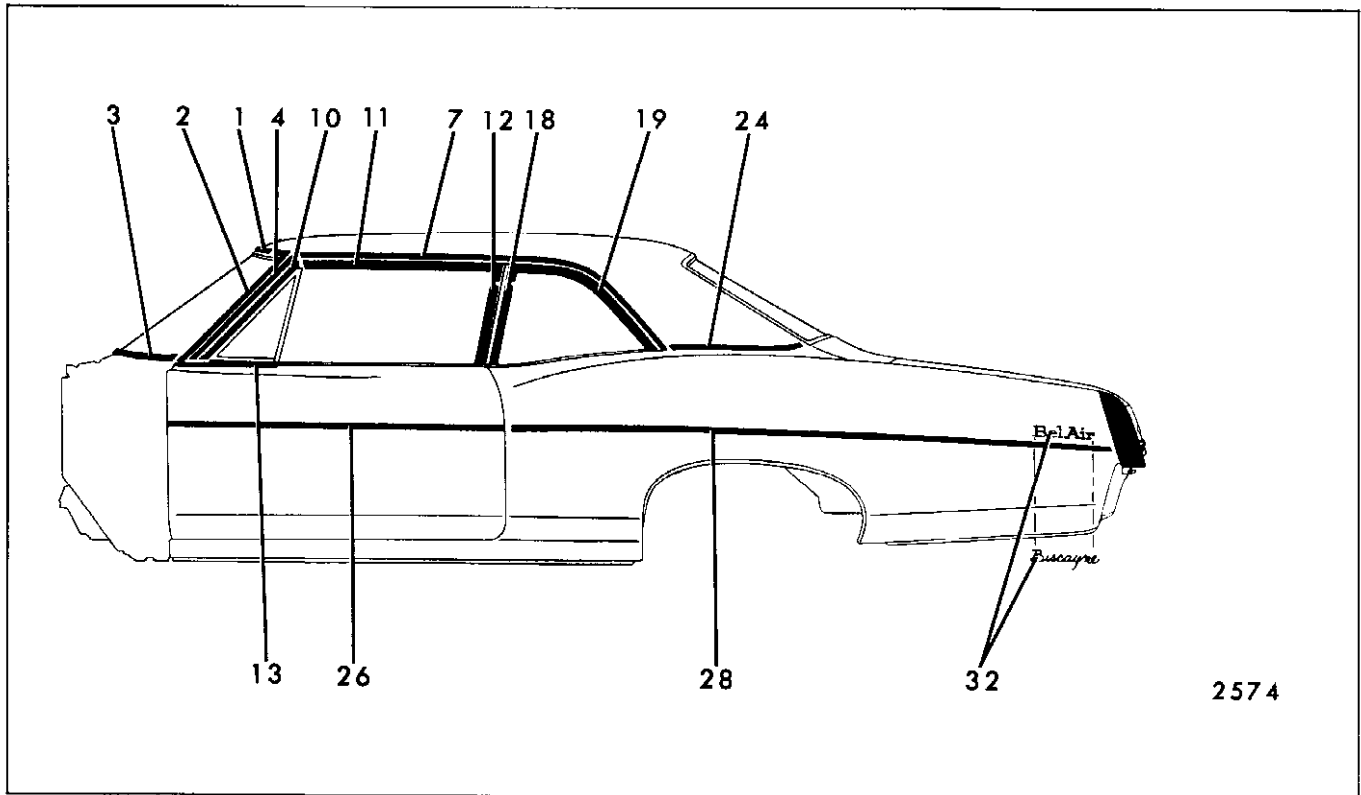


Fig. 17-15—Chevrolet "B-11" Styles

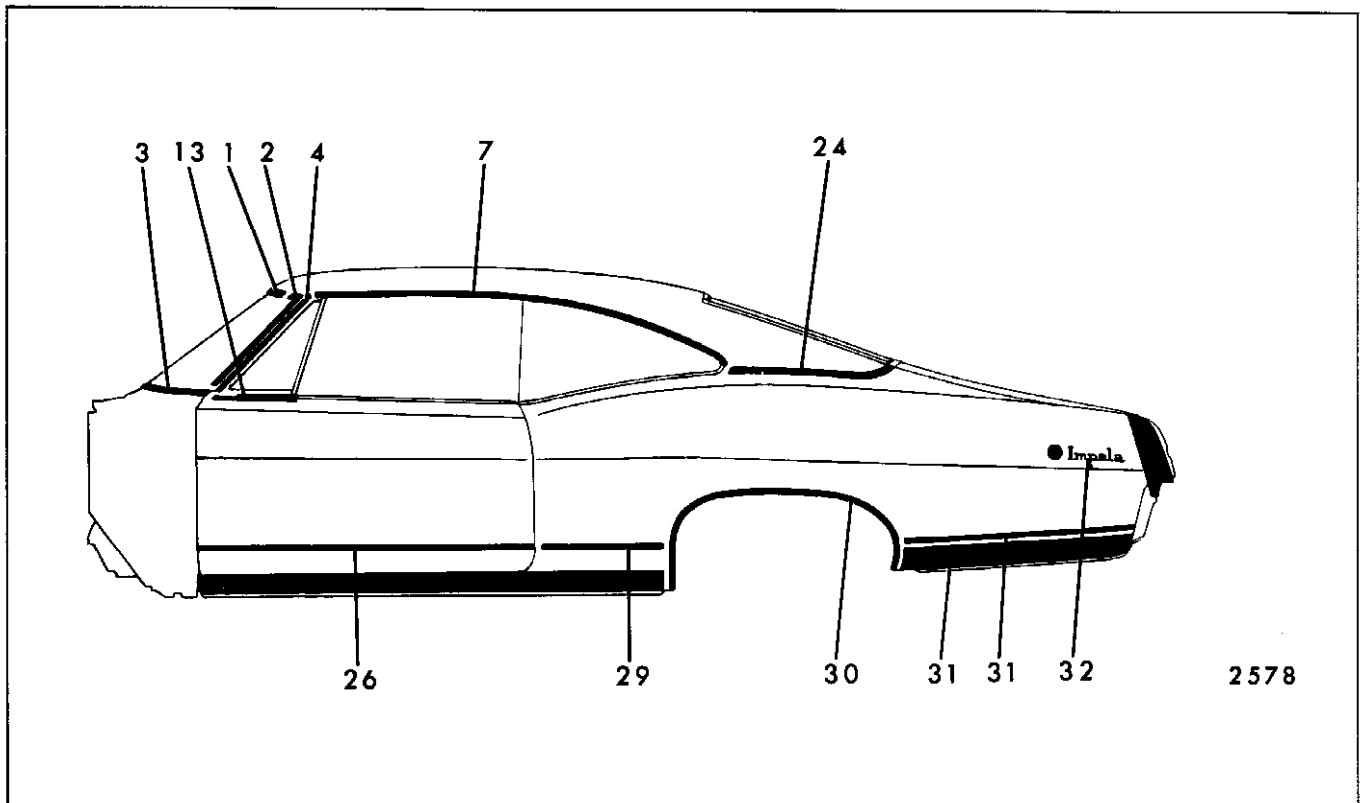


Fig. 17-16—Chevrolet "B-87" Styles

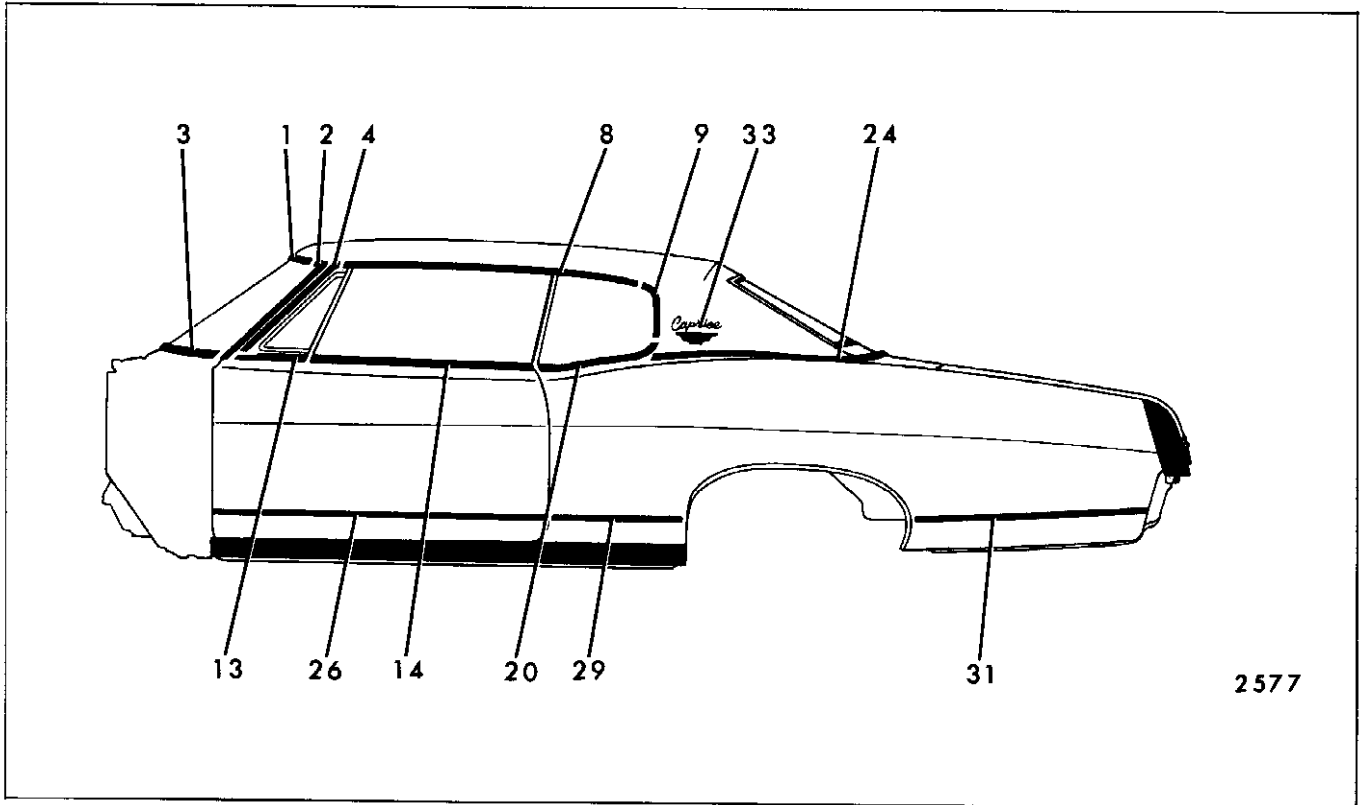


Fig. 17-17—Chevrolet 16647 Styles

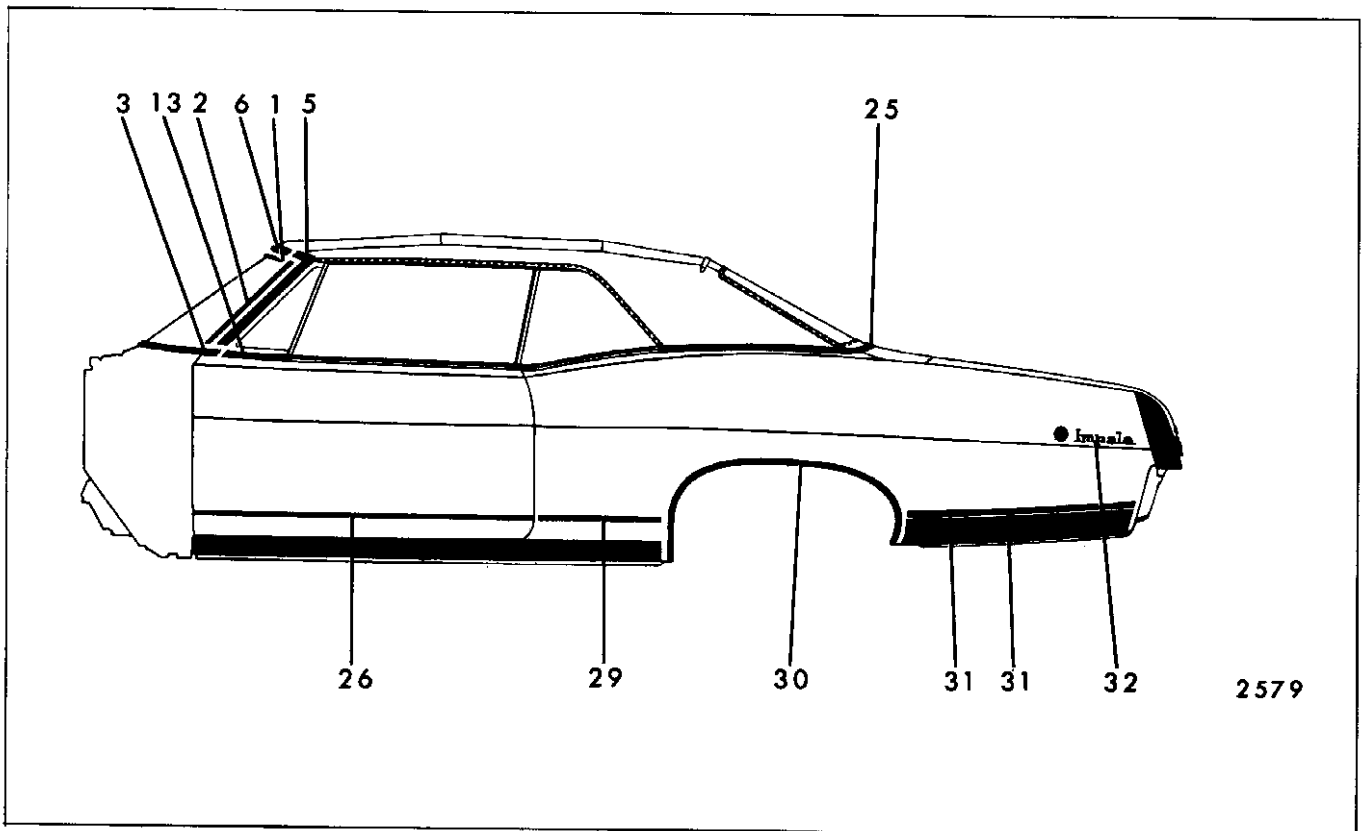


Fig. 17-18—Chevrolet "B-67" Styles

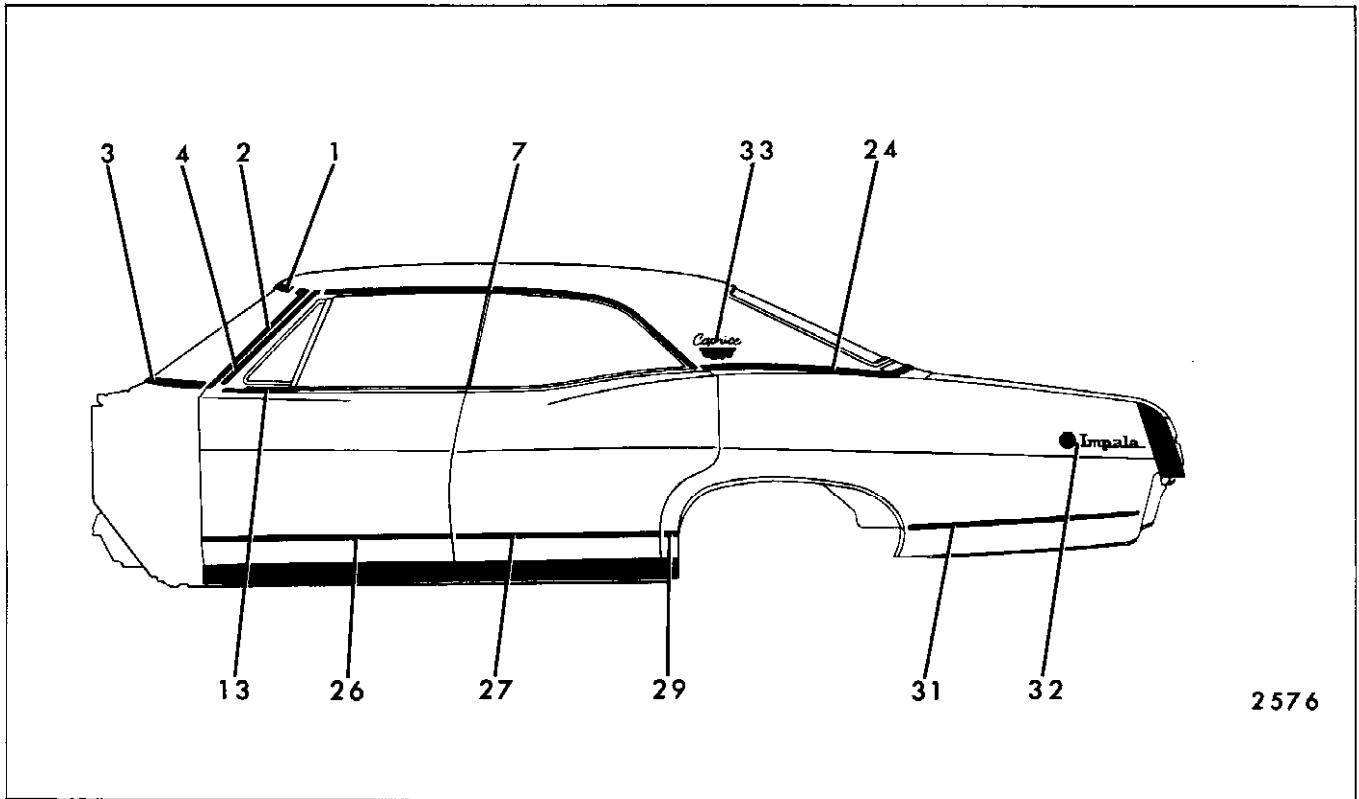


Fig. 17-19—Chevrolet "B-39" Styles

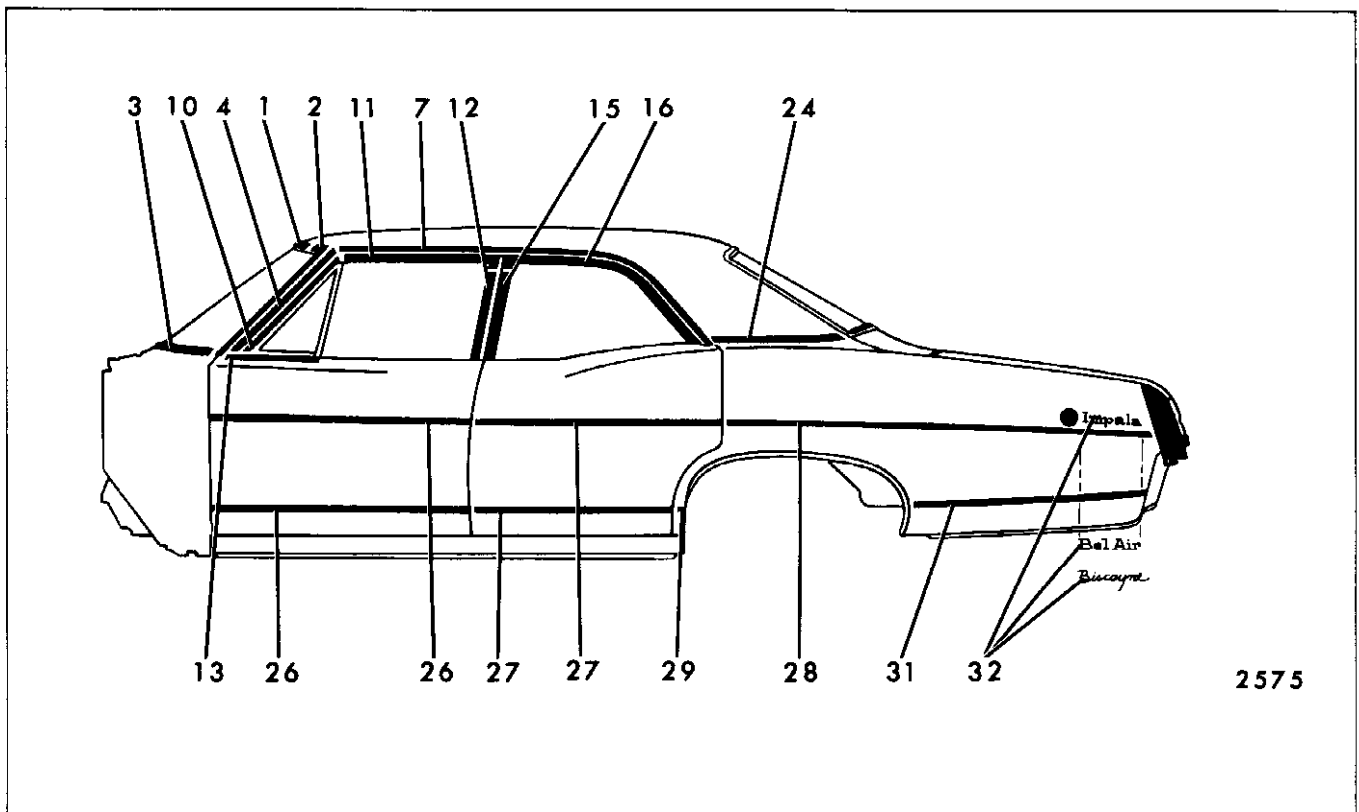


Fig. 17-20—Chevrolet "B-69" Styles

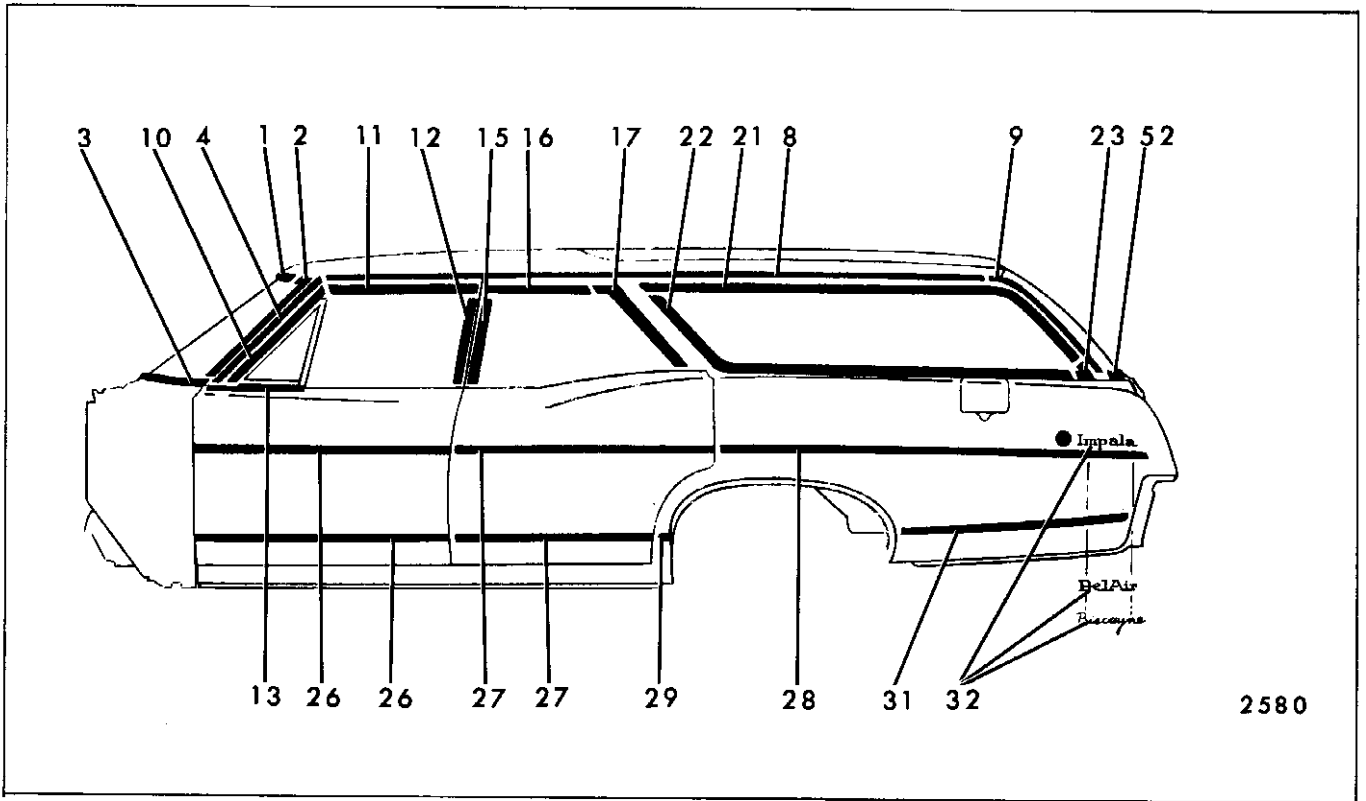


Fig. 17-21—Chevrolet "B-35-45" Styles (Less Wood Grain)

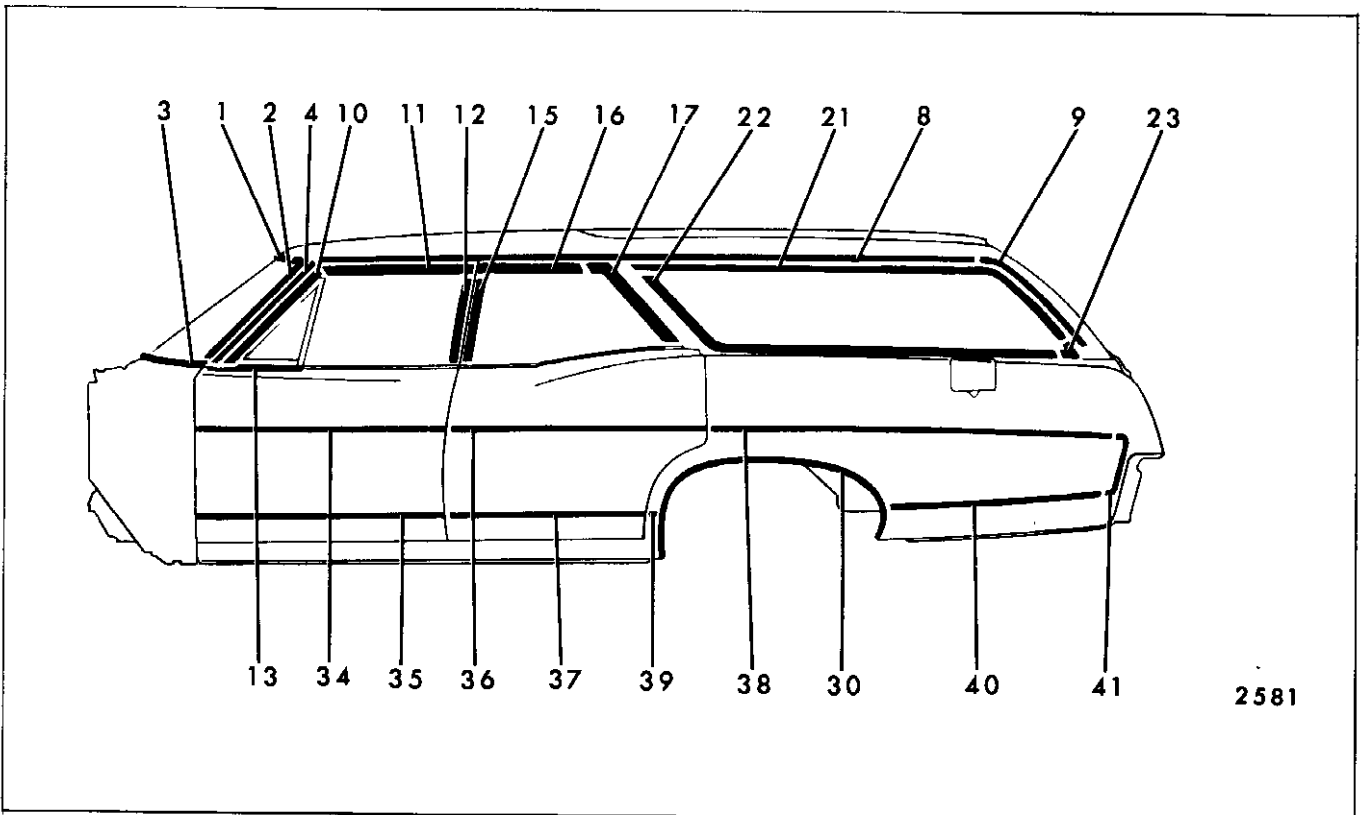


Fig. 17-22—Chevrolet 16635-45 Styles

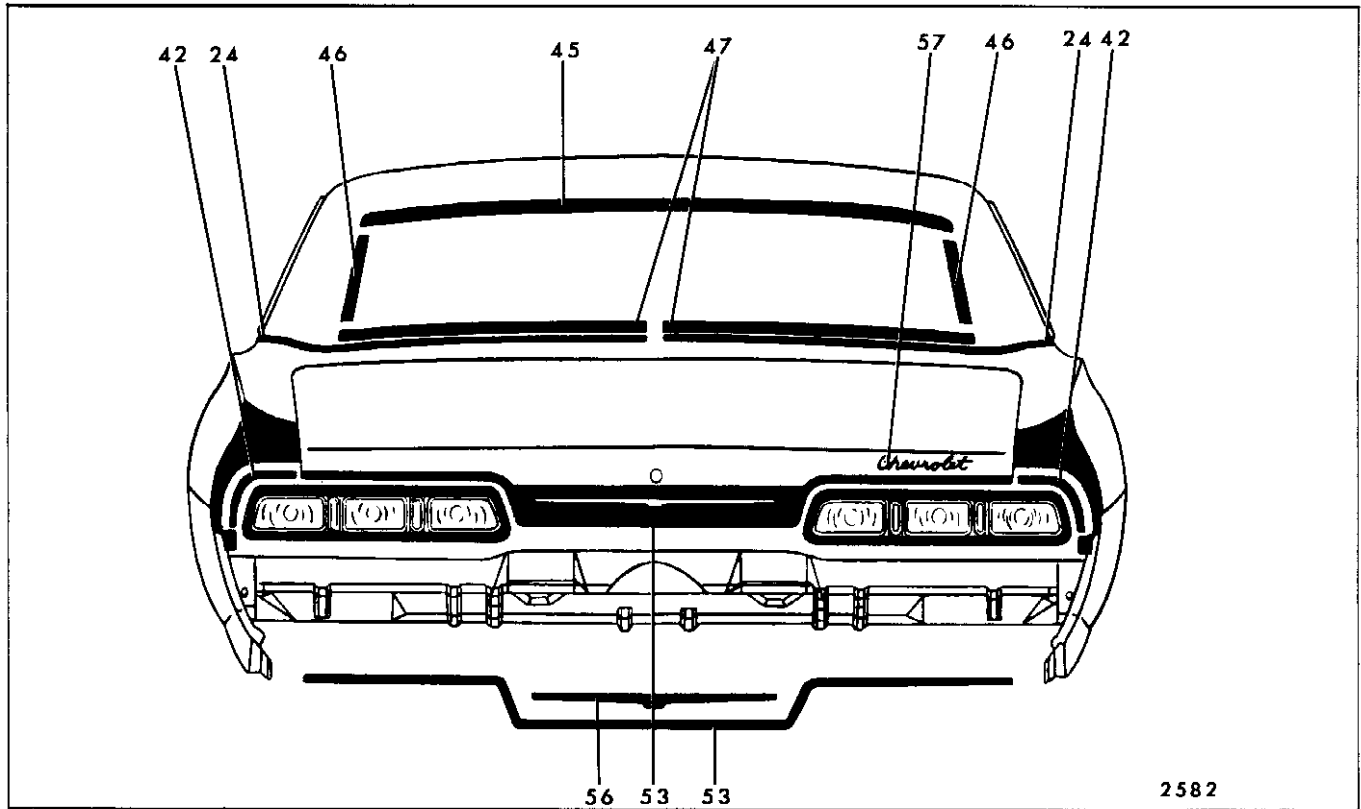


Fig. 17-23—Chevrolet 15400-15600 Styles (Except 35-45 Styles)

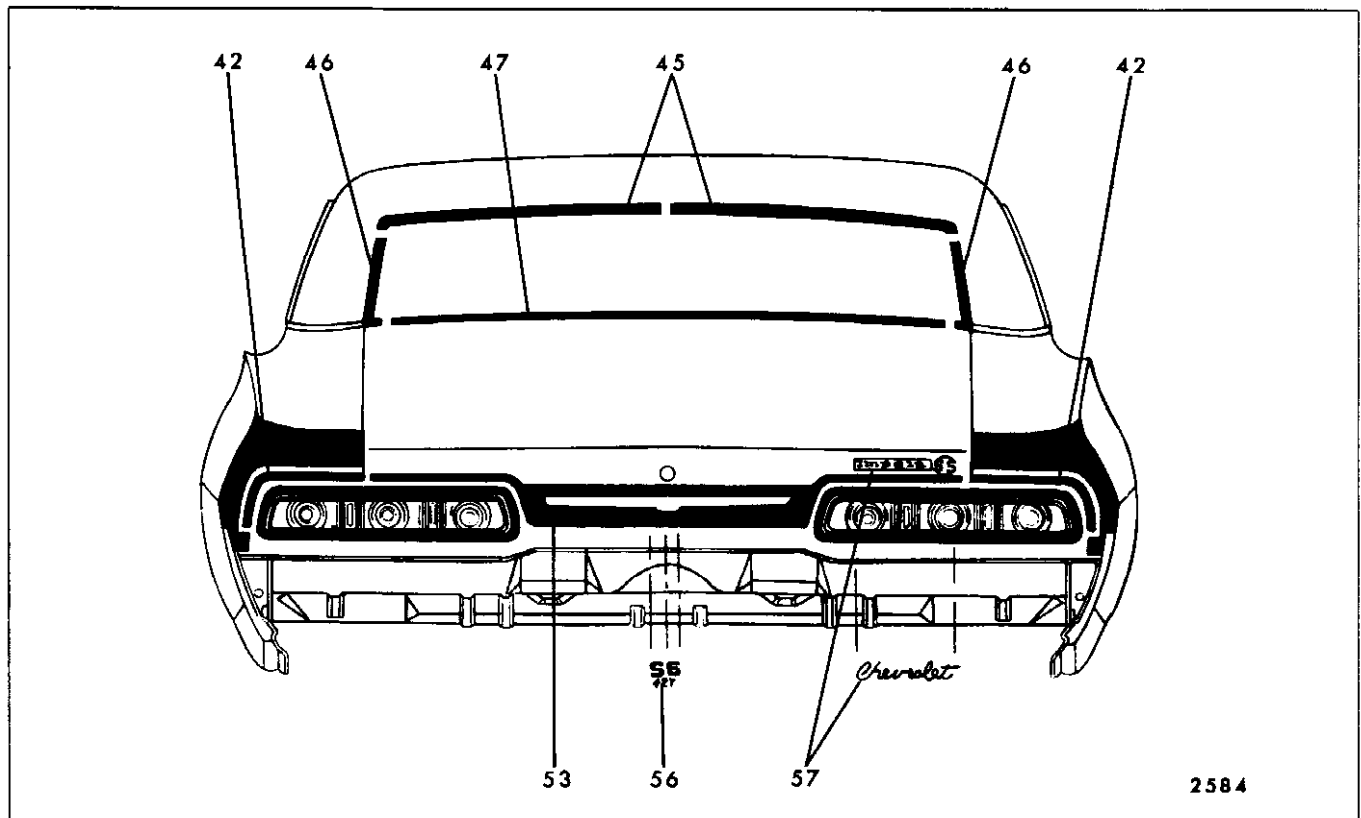


Fig. 17-24—Chevrolet 16400-16800 Styles (Except 35-45 Styles)

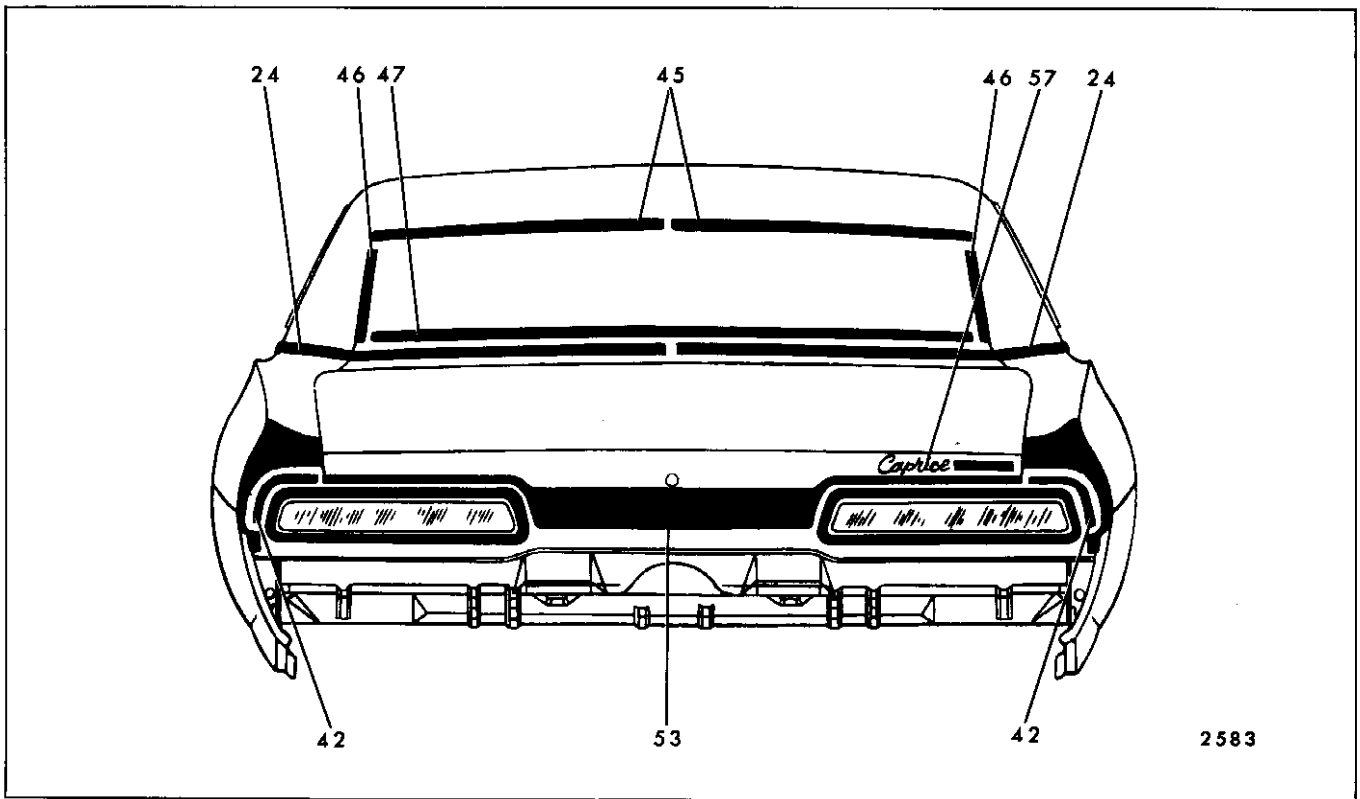


Fig. 17-25—Chevrolet 16600 Styles (Except 35-45 Styles)

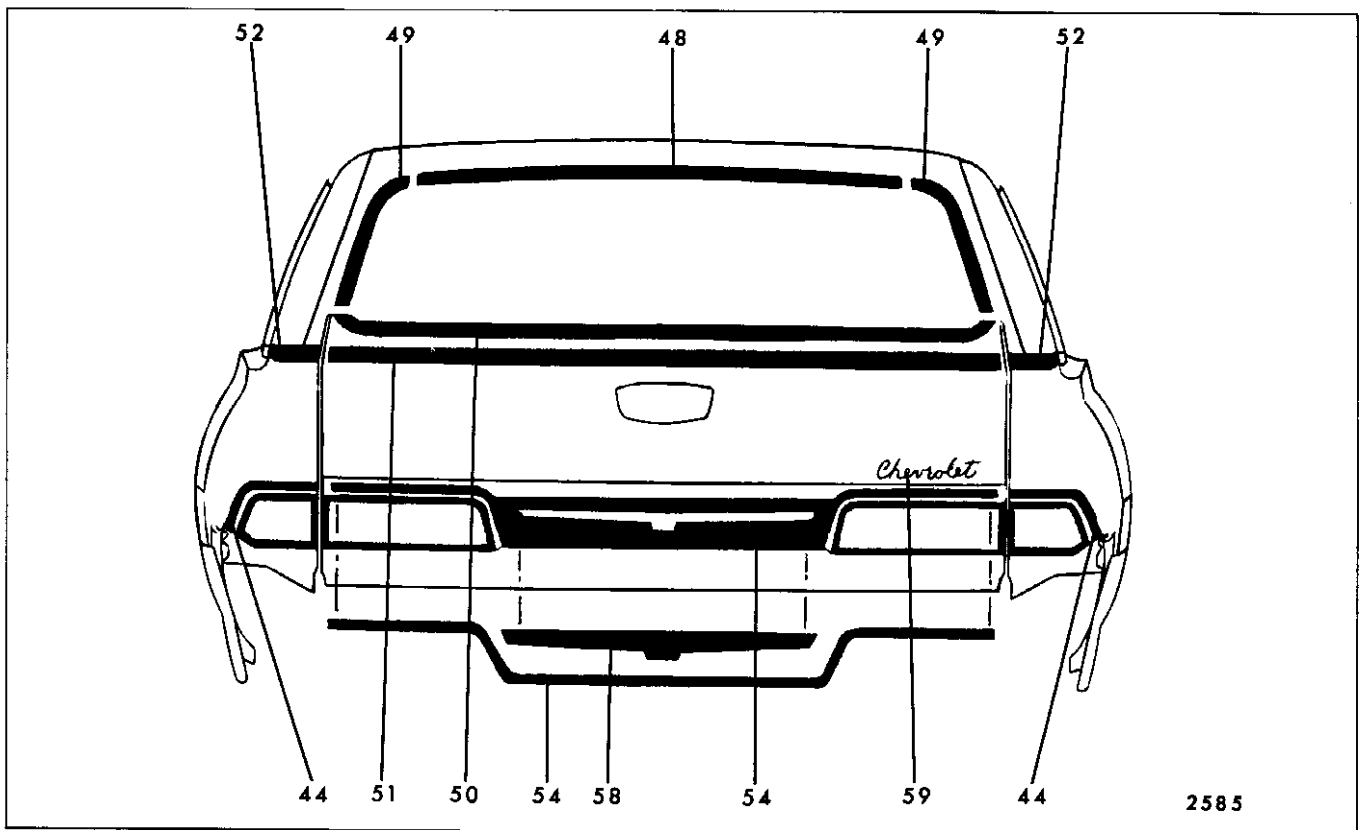


Fig. 17-26—Chevrolet "B-35-45" Styles (Less Wood Grain)

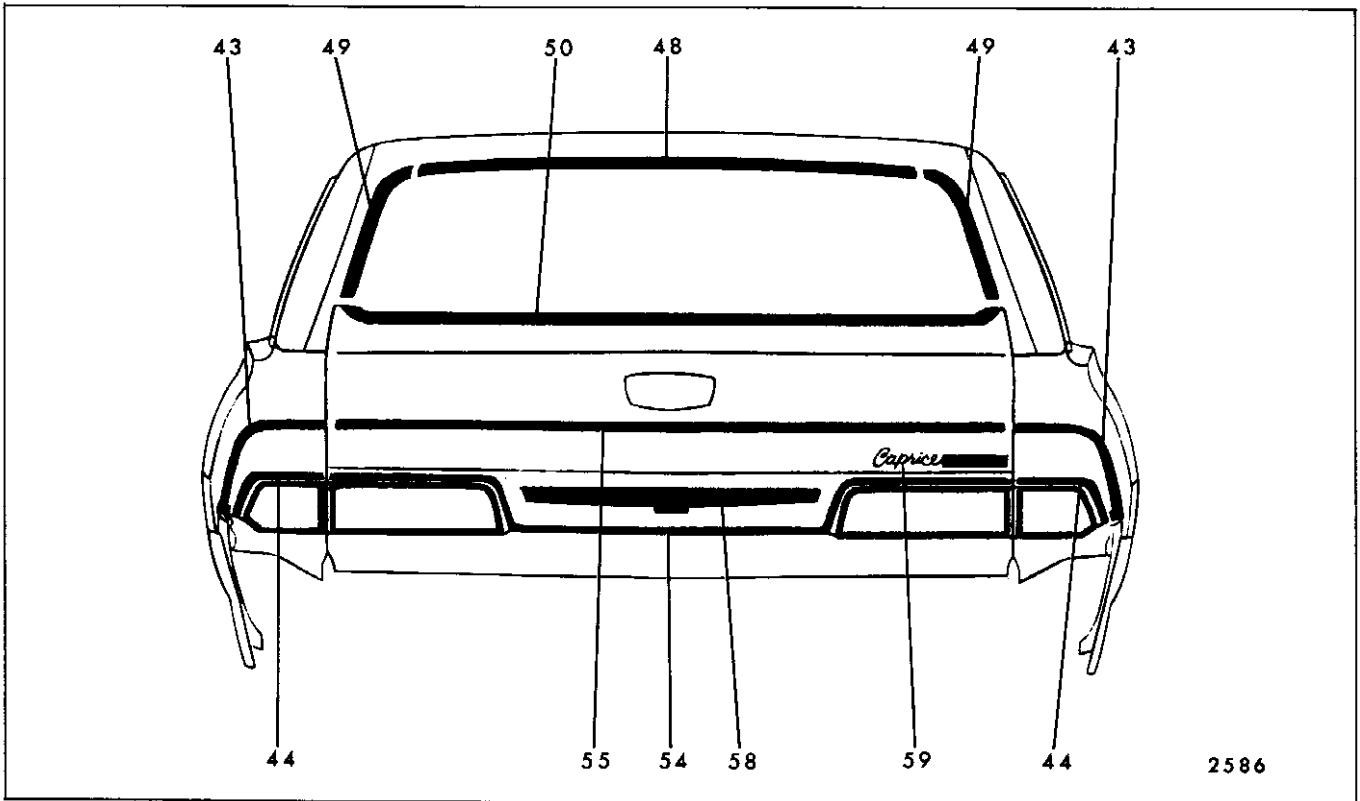


Fig. 17-27—Chevrolet 16635-45 Styles