

METHODS OF MOLDING RETENTION
 CHEVROLET "X" BODIES - 11000 SERIES
 FIGURES 17-30 THROUGH 17-35

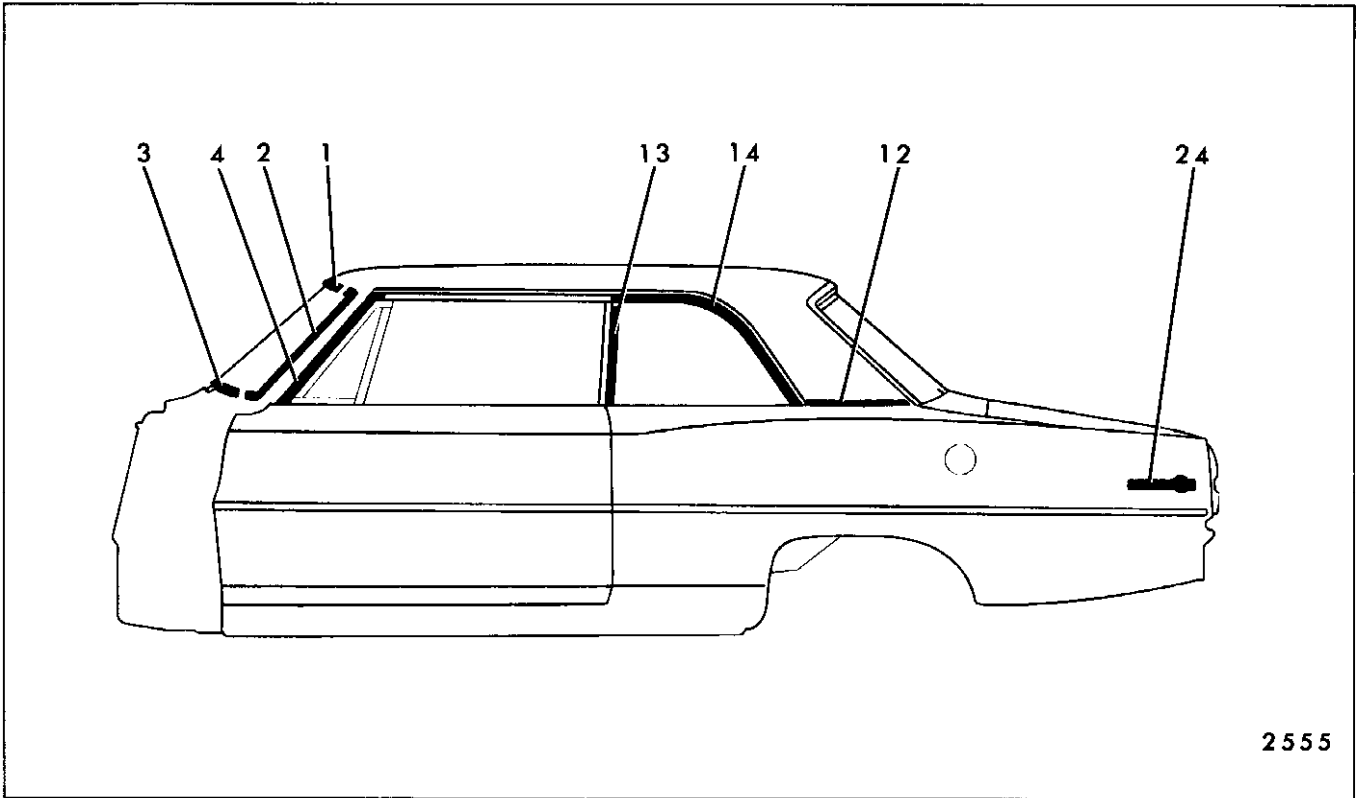
Key	Molding Name	Series or Styles	Screws	Spring (Self-Retained)	Snap-On Clips or Retainers On Panel	Snap-On Clips On Molding	Studs With Attaching Nuts	Engages With Other Moldings	Remove Hardware Or Trim
1	Windshield Reveal Upper	All						Overlaps the Upper and Lower Windshield Reveal Molding	Windshield Reveal Moldings are Removed from the Rubber Channel after the Glass and Channel are Removed from the Opening
2	Windshield Reveal Side	All							
3	Windshield Reveal Lower	All							
4	Windshield Pillar Drip	All	X						Windshield Pillar Weatherstrip and Weatherstrip Retainer
5	Roof Drip Molding Scalp	11637-69 11837		X				Windshield Pillar Drip	
6	Roof Drip Molding Scalp Front	11635		X				Windshield Pillar Drip and Roof Drip Molding Scalp Rear	
7	Roof Drip Molding Scalp Rear	11635		X					
8	Back Roof Drip Molding Scalp	11635		X				Roof Drip Molding Scalp Rear	
9	Front Door Window Belt Reveal	37	X			X			Front Door Window Glass Lower Stop
10	Rear Quarter Window Belt Reveal	37	X						Rear Quarter Window Lower Stop
11	Rear Quarter Window Rear Corner Reveal	37	X					Rear Quarter Window Belt Reveal	
12	Rear Quarter Belt Reveal	11, 69					X		Headlining at Rear Quarter Area
13	Rear Quarter Window Front Scalp	37 (optional) 11411			X			Rear Quarter Window Upper Scalp	
14	Rear Quarter Window Upper Scalp	11411				X			

METHODS OF MOLDING RETENTION
 CHEVROLET "X" BODIES - 11000 SERIES
 FIGURES 17-30 THROUGH 17-35

Key	Molding Name	Series or Styles	Screws	Spring (Self-Retained)	Snap-On Clips or Retainers On Panel	Snap-On Clips On Molding	Studs With Attaching Nuts	Engages With Other Moldings	Remove Hardware Or Trim
15	Rear Quarter Window Reveal Front	35			X				
16	Rear Quarter Window Reveal Upper	35			X			Rear Quarter Window Reveal Front	
17	Rear Quarter Window Reveal Rear	35			X			Rear Quarter Window Reveal Upper	
18	Front Door Outer Panel	11600 11837	X X		X				
19	Rear Door Outer Panel	11635-69	X		X				
20	Rear Quarter Outer Panel	11600			X		X		
21	Front of Rear Wheel Opening	11837	X		X				
22	Rear Wheel Opening	11837	X						
23	Rear of Rear Wheel Opening	11837	X		X				
24	Rear Quarter Outer Panel Emblem	All					X		Quarter Trim on 35 Styles Only
25	Back Window Reveal Upper	All (Except 35)			X			Back Window Reveal Side	
26	Back Window Reveal Side	All (Except 35)			X			Back Window Reveal Lower on 11 and 69 Styles	
27	Back Window Reveal Lower	All (Except 35)			X			Back Window Reveal Side on 37 Styles	
28	Back Body Opening Reveal Upper	35			X			Back Body Opening Reveal Upper Corner Escutcheon	
29	Back Body Opening Reveal Side	35			X			Back Body Opening Reveal Upper Corner Escutcheon	

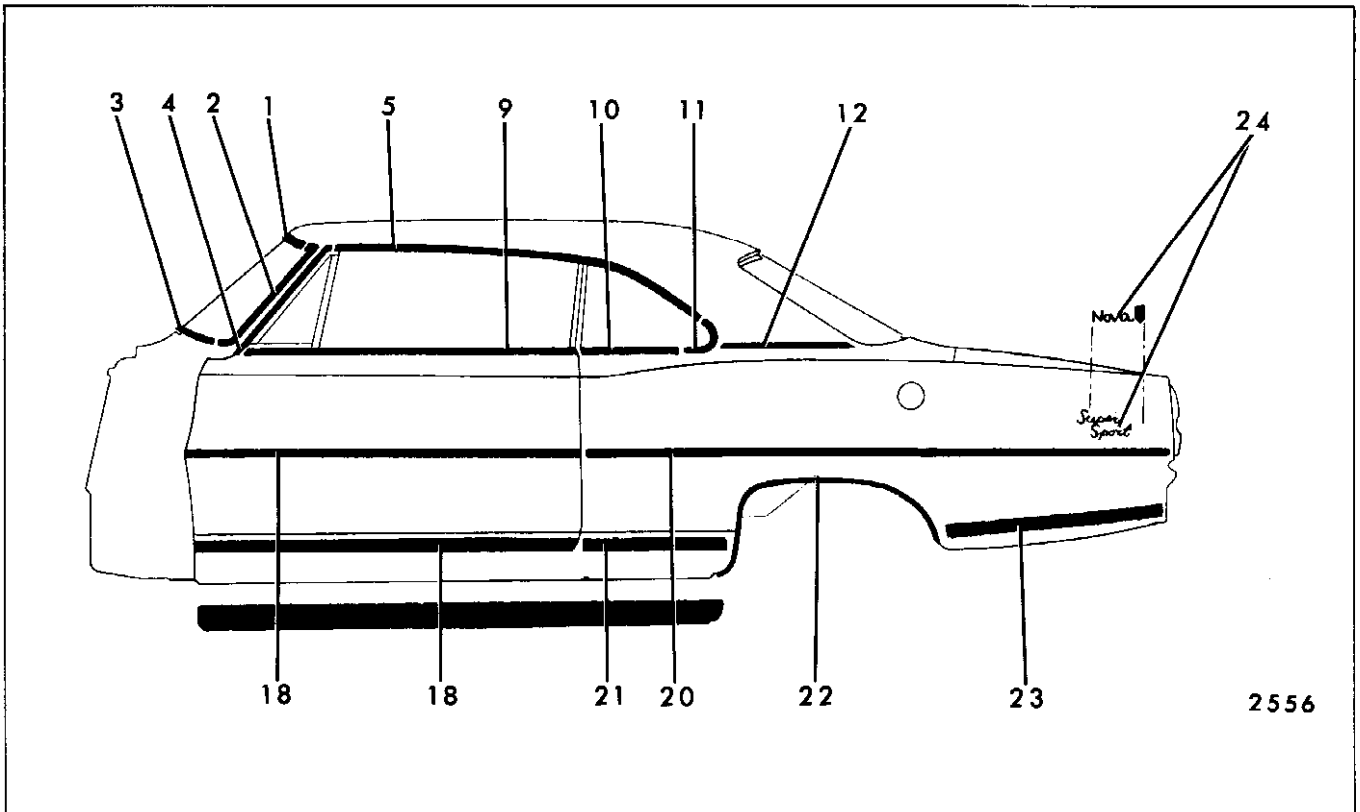
METHODS OF MOLDING RETENTION
 CHEVROLET "X" BODIES - 11000 SERIES
 FIGURES 17-30 THROUGH 17-35

Key	Molding Name	Series or Styles	Screws	Spring (Self-Retained)	Snap-On Clips or Retainers On Panel	Snap-On Clips On Molding	Studs With Attaching Nuts	Engages With Other Moldings	Remove Hardware Or Trim
30	Back Body Opening Reveal Upper Corner Escutcheon	35			X				
31	Tailgate Outer Panel Emblem	11435					X		Tailgate Trim Assembly
32	Tailgate Outer Panel Molding and Emblem Assembly	11635					X		Tailgate Trim Assembly
33	Rear Compartment Lid Outer Panel Emblem	11411-69					X		
34	Rear Compartment Lid Outer Panel Molding and Emblem Assembly	11637-69 11837					X		



2555

Fig. 17-30—Chevrolet "X-11" Styles



2556

Fig. 17-31—Chevrolet "X-37" Styles

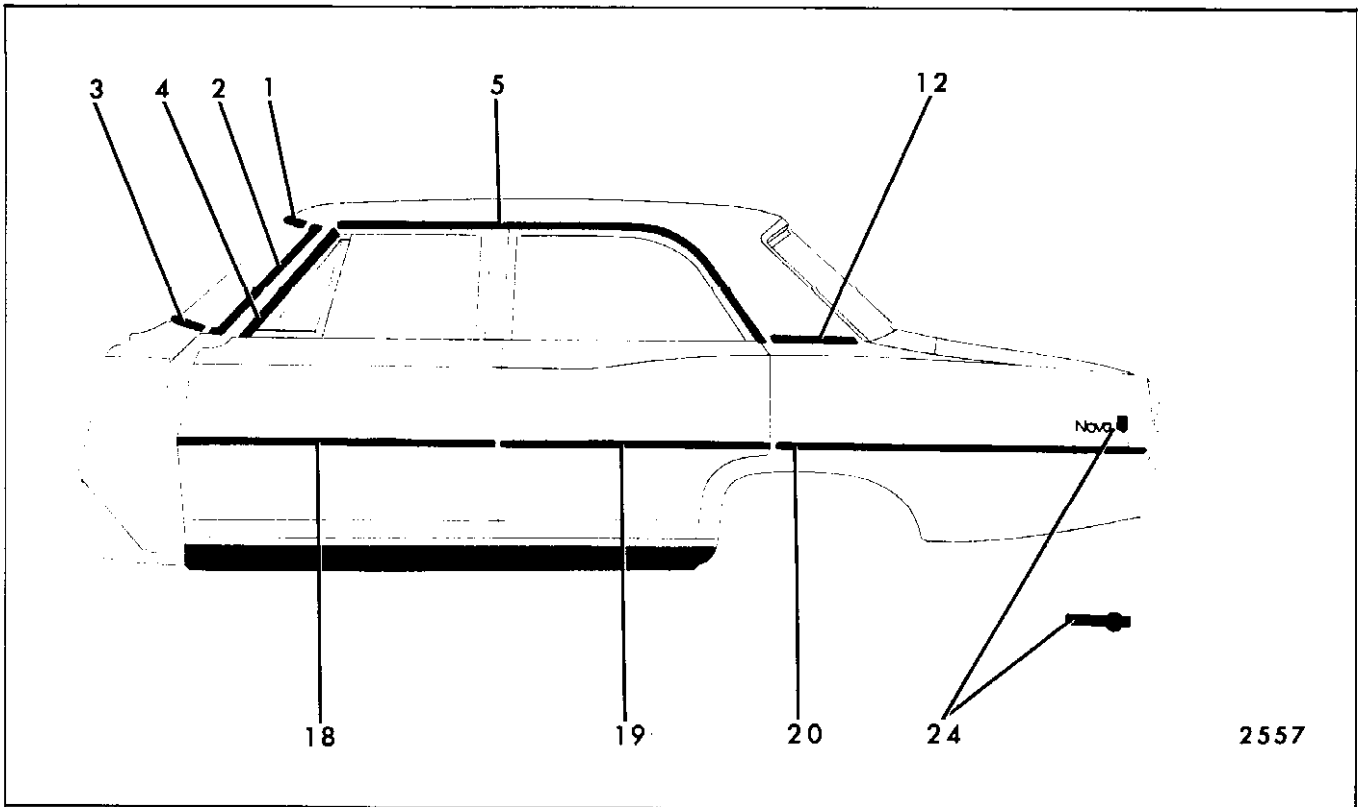


Fig. 17-32—Chevrolet "X-69" Styles

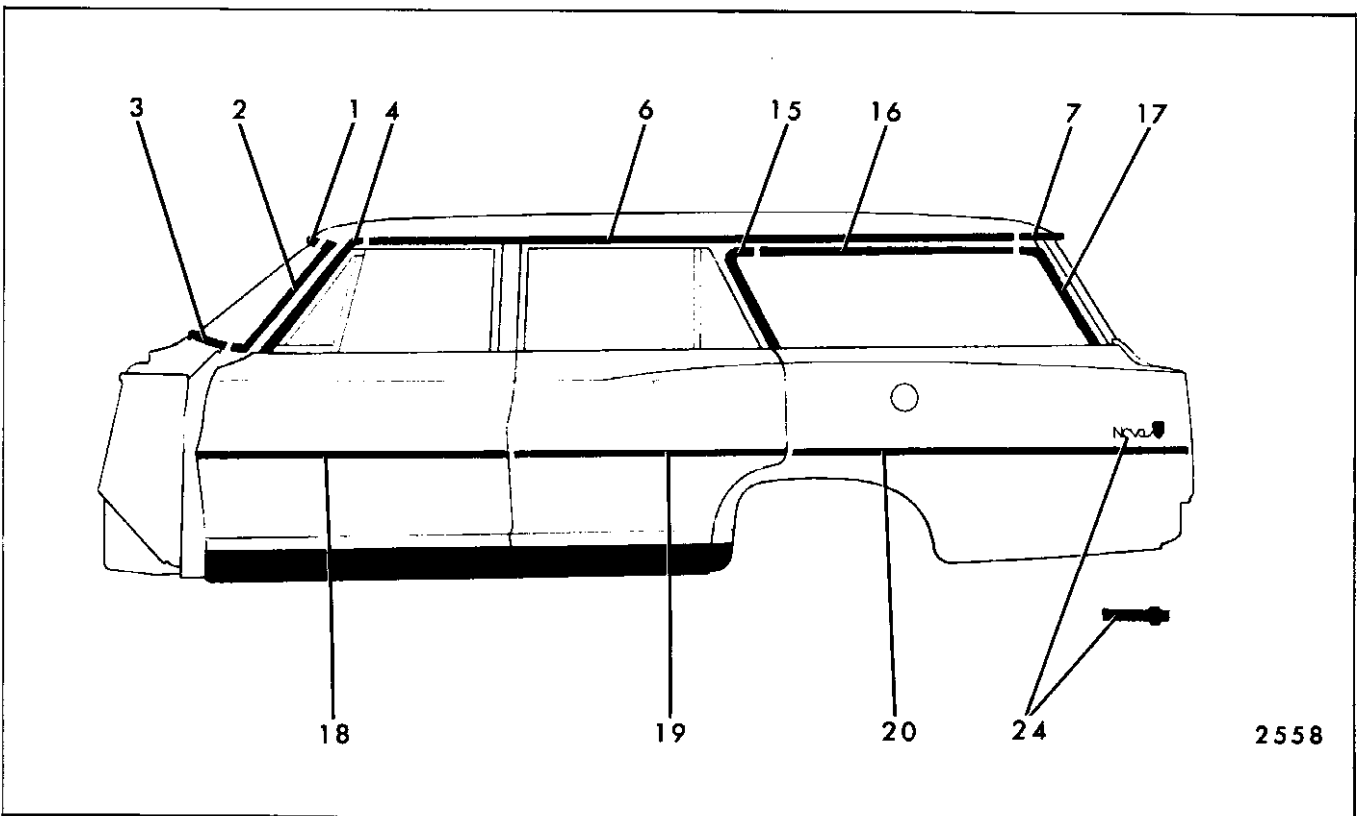


Fig. 17-33—Chevrolet "X-35" Styles

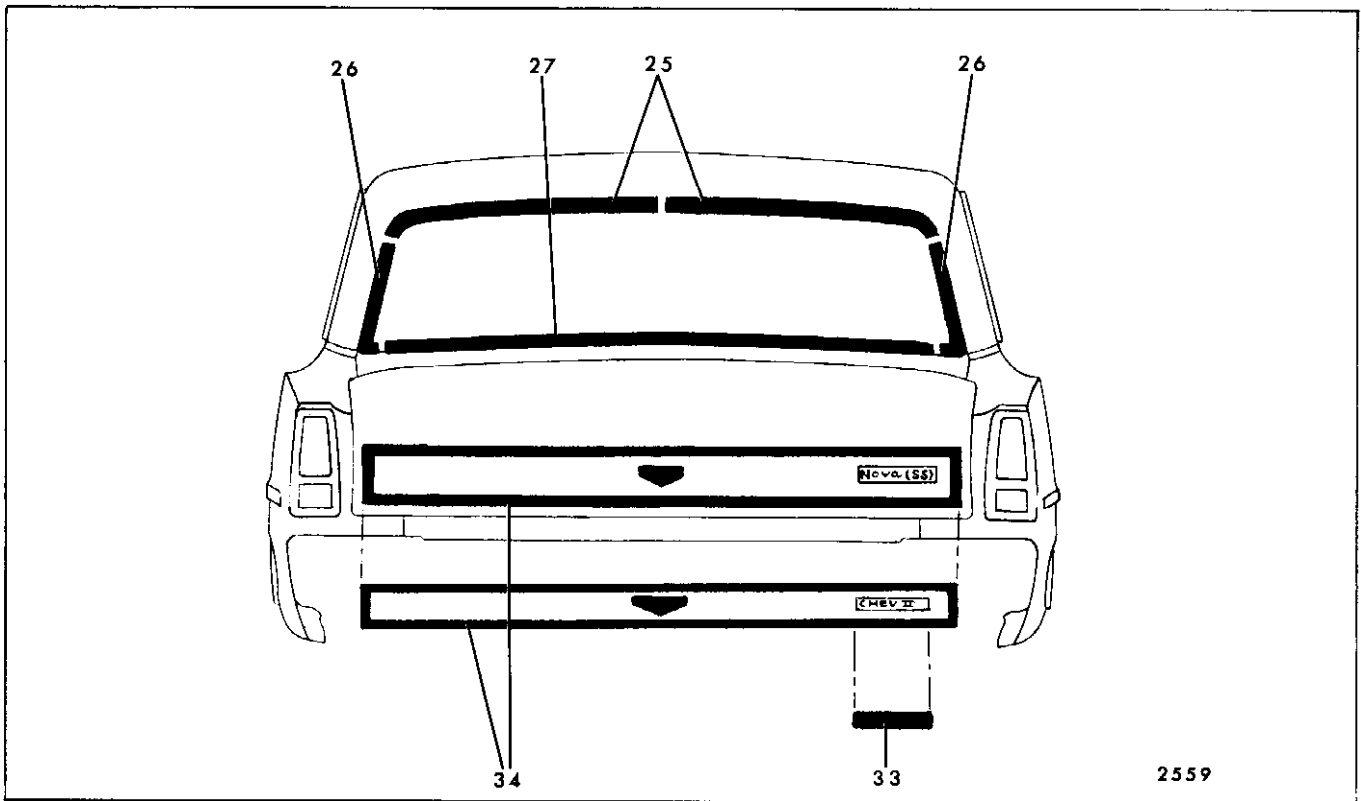


Fig. 17-34—Chevrolet 11400-11600-11800 Styles (Except 35 Styles)

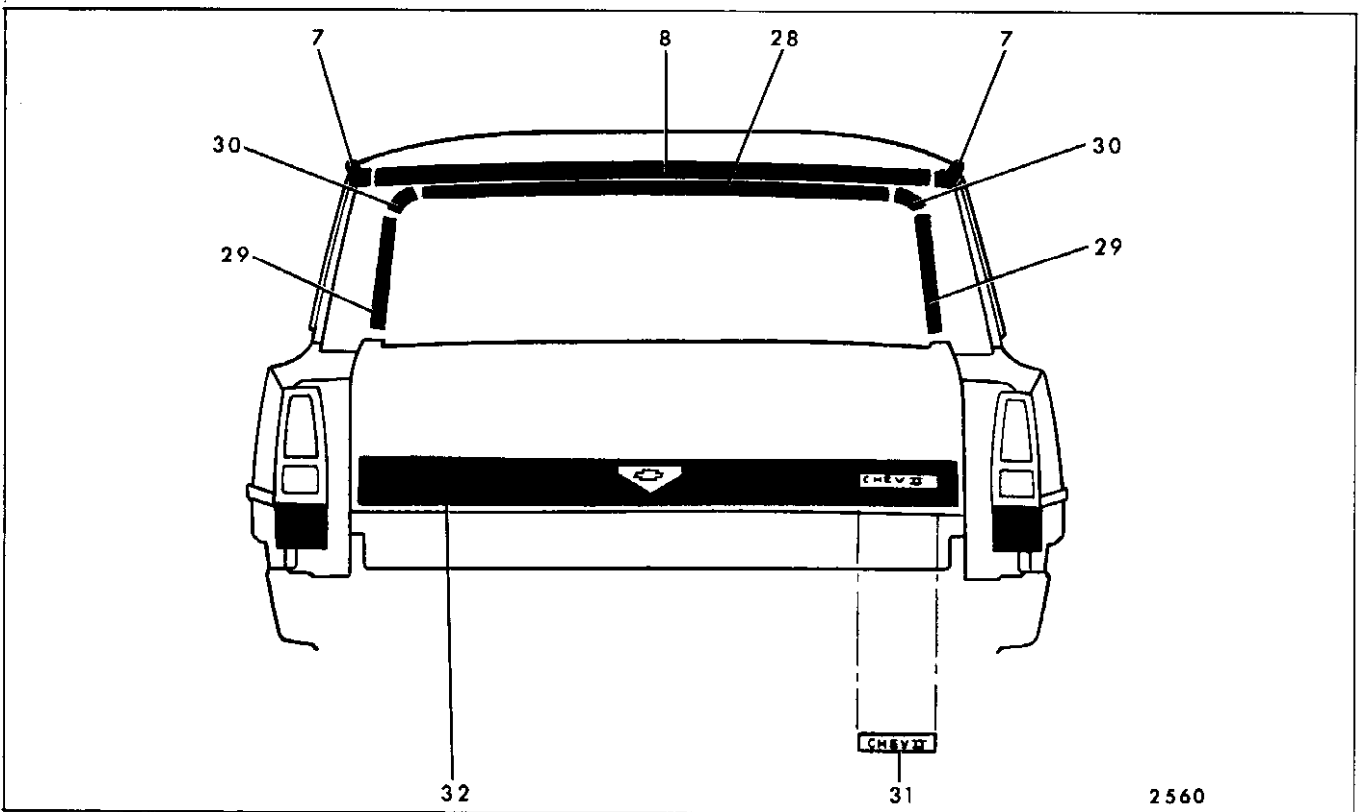


Fig. 17-35—Chevrolet "X-35" Styles