

METHODS OF MOLDING RETENTION  
PONTIAC "A" BODIES - 23000 AND 24000 SERIES  
FIGURES 17-40 THROUGH 17-49

Key	Molding Name	Series or Styles	Screws	Spring (Self-Retained)	Snap-On Clips or Retainers On Panel	Snap-On Clips On Molding	Studs With Attaching Nuts	Engages With Other Moldings	Remove Hardware Or Trim
1	Windshield Reveal Upper	All			X				
2	Windshield Reveal Side	All			X			Windshield Reveal Upper	
3	Windshield Reveal Lower	All			X			Windshield Reveal Side	
4	Windshield Pillar Finishing	07,17,39,67	X						Windshield Pillar Weatherstrip and Weatherstrip Retainer
5	Windshield Header Center	67	X					Windshield Header Side	Rear View Mirror Support
6	Windshield Header Side	67	X					Windshield Reveal Upper and Sides	Sunshade Support. Windshield Pillar Weatherstrip and Weatherstrip Retainer
7	Roof Drip Molding Front Scalp	39		X				Roof Drip Molding Scalp Escutcheon	
8	Roof Drip Molding Scalp Escutcheon	39		X					
9	Roof Drip Molding Rear Scalp	39		X				Roof Drip Molding Scalp Escutcheon	
10	Roof Drip Molding Scalp	07, 17		X					
11	Front Door Window Frame Front Scalp	07,35,69		X					
12	Front Door Window Frame Upper Scalp	07,35,69		X				Front Door Window Frame Front Scalp	
13	Front Door Window Frame Rear Scalp	07,35,69		X				Front Door Window Frame Upper Scalp	
14	Front Door Window Belt Reveal	07,17,39,67,69	X						Front Door Window Glass Lower Stop
15	Center Pillar Scalp	35,69	X						

METHODS OF MOLDING RETENTION  
PONTIAC "A" BODIES - 23000 AND 24000 SERIES  
FIGURES 17-40 THROUGH 17-49

Key	Molding Name	Series or Styles	Screws	Spring (Self-Retained)	Snap-On Clips or Retainers On Panel	Snap-On Clips On Molding	Studs With Attaching Nuts	Engages With Other Moldings	Remove Hardware Or Trim
16	Rear Door Window Frame Front Scalp	35,69		X				Rear Door Window Frame Upper Scalp	
17	Rear Door Window Frame Upper Scalp	35,69		X				Rear Door Window Frame Rear Scalp	
18	Rear Door Window Frame Rear Scalp	35		X					
19	Rear Door Window Belt Reveal	39,69	X						Rear Door Window Glass Lower Stops
20	Rear Quarter Window Reveal Front	07			X			Rear Quarter Window Reveal Upper	
21	Rear Quarter Window Reveal Upper	07	X						
22	Rear Quarter Window Belt Reveal	07,17,67	X						Rear Quarter Window Glass Lower Stops
23	Rear Quarter Belt Reveal	39,69 (Optional)			X		X		
24	Rear Quarter Belt Reveal Corner Escutcheon	39 (Optional)	X					Rear Quarter Belt Reveal. Back Window Reveal Lower and Side	
25	Rear Quarter Belt Outer Reveal	07,17 (Optional)			X		X		
26	Rear Quarter Belt Inner Reveal	07,17 (Optional)			X		X	Rear Quarter Belt Outer Reveal	
27	Rear Quarter Pinch Weld Finishing	67	X		X			Rear Quarter Window Belt Reveal	Rear Quarter and Rear End Trim Sticks
28	Rear Quarter Window Reveal Upper Corner Escutcheon	35			X				Loosen Rear Quarter Window Reveal Upper and Lower at Corner
29	Rear Quarter Window Reveal Upper	35			X			Rear Quarter Window Reveal Upper and Lower Corner Escutcheon	

**METHODS OF MOLDING RETENTION**  
**PONTIAC "A" BODIES - 23000 AND 24000 SERIES**  
**FIGURES 17-40 THROUGH 17-49**

Key	Molding Name	Series or Styles	Screws	Spring (Self-Retained)	Snap-On Clips or Retainers On Panel	Snap-On Clips On Molding	Studs With Attaching Nuts	Engages With Other Moldings	Remove Hardware Or Trim
30	Rear Quarter Window Reveal Lower	35			X			Rear Quarter Window Reveal Upper and Lower Corner Escutcheon	
31	Rear Quarter Window Reveal Lower Corner Escutcheon	35			X				Loosen Rear Quarter Window Reveal Upper and Lower at Corner
32	Front Door Outer Panel	24200	X		X				
33	Front Door Outer Panel Transfer Finishing Upper	23935	X		X				
34	Front Door Outer Panel Transfer Finishing Lower	23935	X		X				
35	Rear Door Outer Panel Transfer Finishing Upper	23935	X		X				
36	Rear Door Outer Panel Transfer Finishing Lower	23935	X		X				
37	Rear Quarter Outer Panel Transfer Finishing Upper - Rt. Side	23935			X				
38	Rear Quarter Outer Panel Transfer Finishing Upper Front - Lt. Side	23935			X				
39	Gas Tank Filler Door Transfer Finishing	23935	X						
40	Rear Quarter Outer Panel Transfer Finishing Upper Rear - Lt. Side	23935			X				
41	Rear Quarter Outer Panel Transfer Finishing Rear Vertical	23935	X		X			Rear Quarter Outer Panel Transfer Finishing Upper Rear	

**METHODS OF MOLDING RETENTION**  
**PONTIAC "A" BODIES - 23000 AND 24000 SERIES**  
**FIGURES 17-40 THROUGH 17-49**

Key	Molding Name	Series or Styles	Screws	Spring (Self-Retained)	Snap-On Clips or Retainers On Panel	Snap-On Clips On Molding	Studs With Attaching Nuts	Engages With Other Moldings	Remove Hardware Or Trim
42	Rear Quarter Outer Panel Transfer Finishing Lower Front	23935			X				
43	Rear Quarter Outer Panel Transfer Finishing Lower Rear	23935			X			Rear Quarter Outer Panel Transfer Finishing Lower Front	
44	Rear Quarter Outer Panel Transfer Finishing Front	23935	X						
45	Rear Quarter Outer Panel Transfer Finishing Rear	23935	X						
46	Rear Wheel Opening	23700,24200	X						
47	Rear of Rear Wheel Opening	23500,23700,24200	X		X				
48	Rear Quarter Outer Panel Nameplate	23700,24200					X		
49	Rear Quarter Outer Panel Louver Horizontal	23300					X		Quarter Trim Left Side, Spare Tire Cover Right Side (35 Style Only)
50	Roof Panel Louver	23739					X		Upper Quarter Trim Finishing Panel
51	Rear Quarter Outer Panel Louver Front Vertical	23707-17-67					X		Rear Quarter Trim Pad
52	Rear of Rear Quarter Outer Panel	All (Except 35)	X				X		
53	Rear Compartment Lid Outer Panel	All (Except 35)	X						
54	Rear Compartment Lid Outer Panel Name Plate	23700,24200					X		

**METHODS OF MOLDING RETENTION**  
**PONTIAC "A" BODIES - 23000 AND 24000 SERIES**  
**FIGURES 17-40 THROUGH 17-49**

Key	Molding Name	Series or Styles	Screws	Spring (Self-Retained)	Snap-On Clips or Retainers On Panel	Snap-On Clips On Molding	Studs With Attaching Nuts	Engages With Other Moldings	Remove Hardware Or Trim
55	Rear End Panel Name Plate	23300,23500 23700 (Except 35)					X		
56	Back Window Reveal Upper	07,17,69 39			X			Back Window Reveal Side	
57	Back Window Reveal Side	39			X				
58	Back Window Reveal Lower	07,17,69 39			X			Back Window Reveal Upper	
59	Back Window Reveal Lower Corner Escutcheon	39	X					Back Window Reveal Lower and Side	
60	Back Body Opening Upper Reveal	35	X					Back Body Opening Side Reveal	Tailgate Window Glass Run Channel
61	Back Body Opening Side Reveal	35	X						Back Body Opening Pinch Weld Finishing Lace
62	Tailgate Window Lower Reveal	35	X			X			
63	Tailgate Outer Panel Belt	35					X		Tailgate Window and Regulator
64	Tailgate Outer Panel Name Plate	35					X		Tailgate Trim Assembly
65	Tailgate Outer Panel Transfer Finishing Upper	23935				X	X		Tailgate Trim Assembly
66	Tailgate Outer Panel Transfer Finishing Side	23935					X	Tailgate Outer Panel Transfer Finishing Upper and Lower	Tailgate Trim Assembly
67	Tailgate Outer Panel Transfer Finishing Lower	23935				X	X		Tailgate Trim Assembly

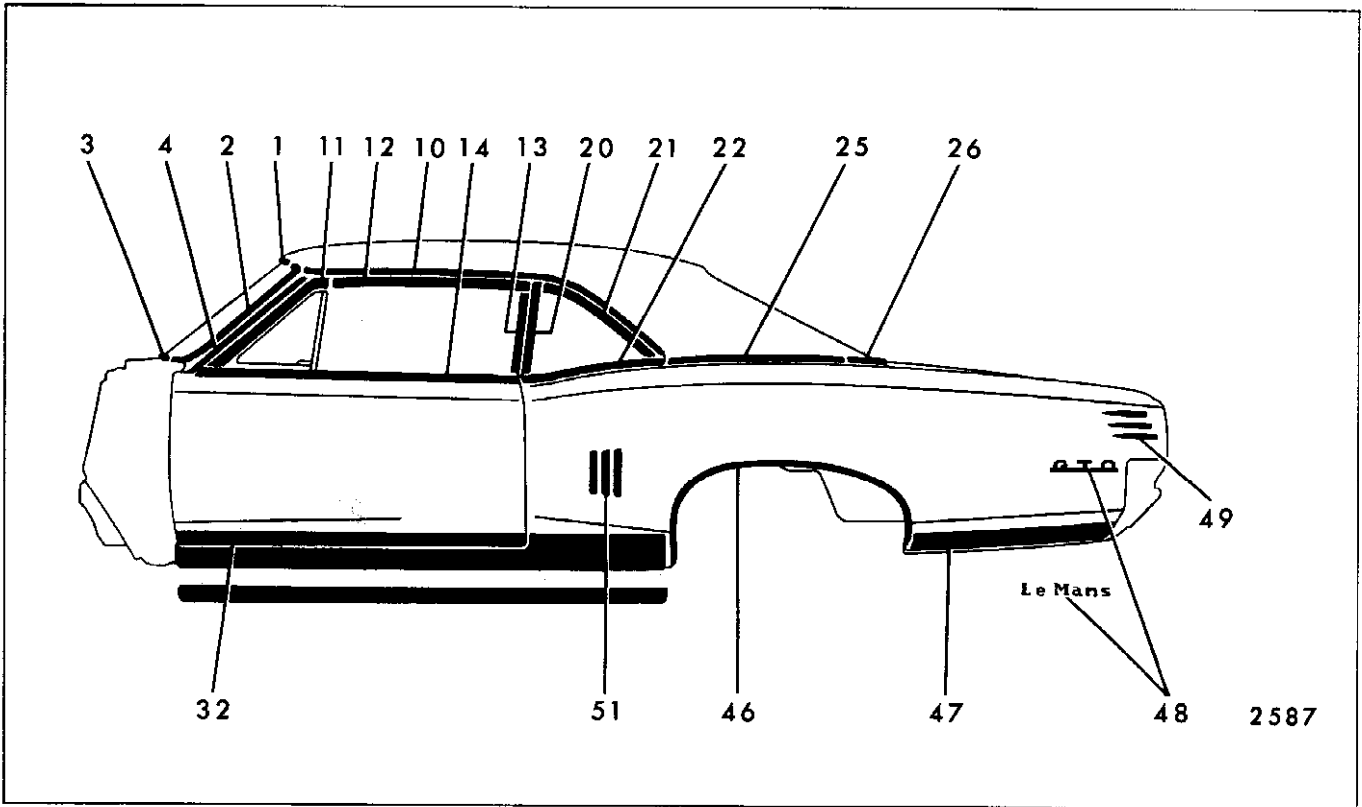


Fig. 17-40—Pontiac "A-07" Styles

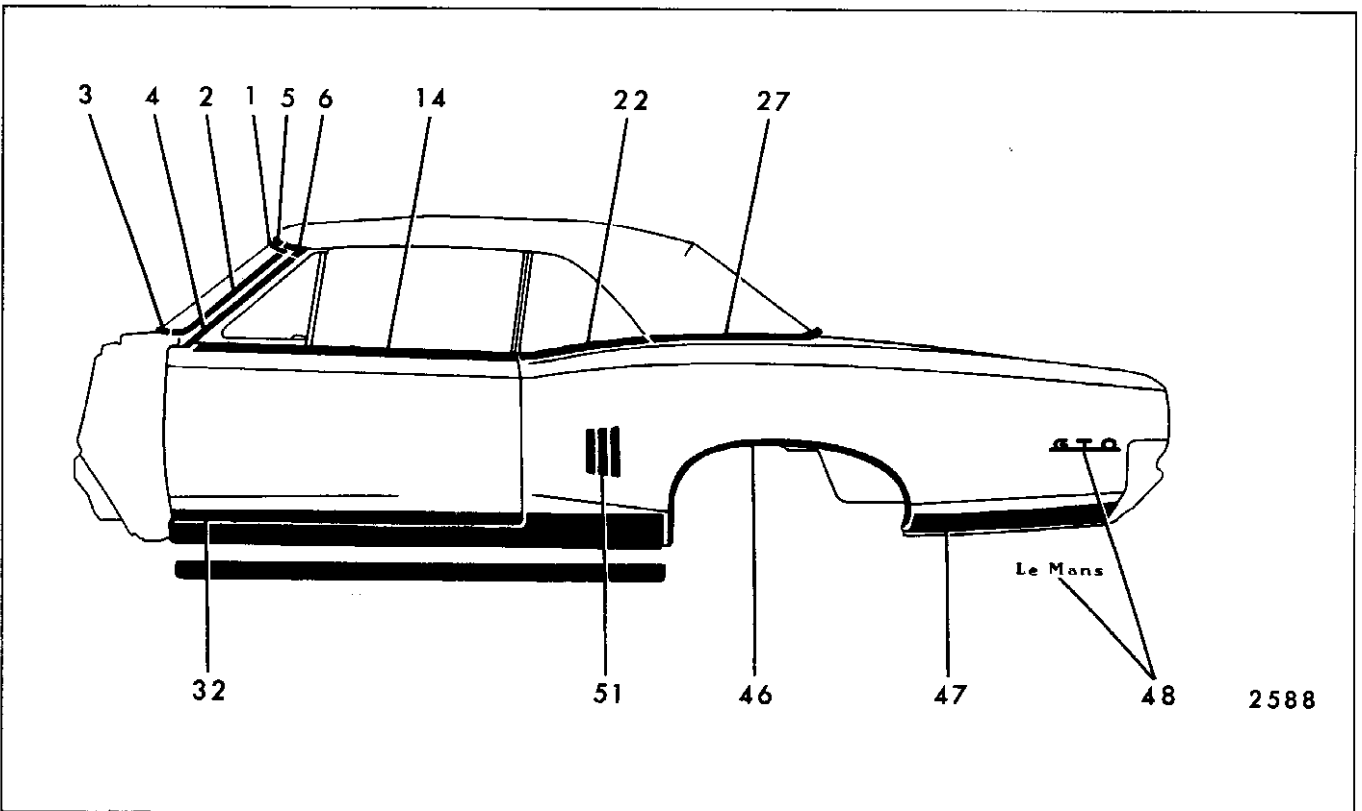


Fig. 17-41—Pontiac "A-67" Styles

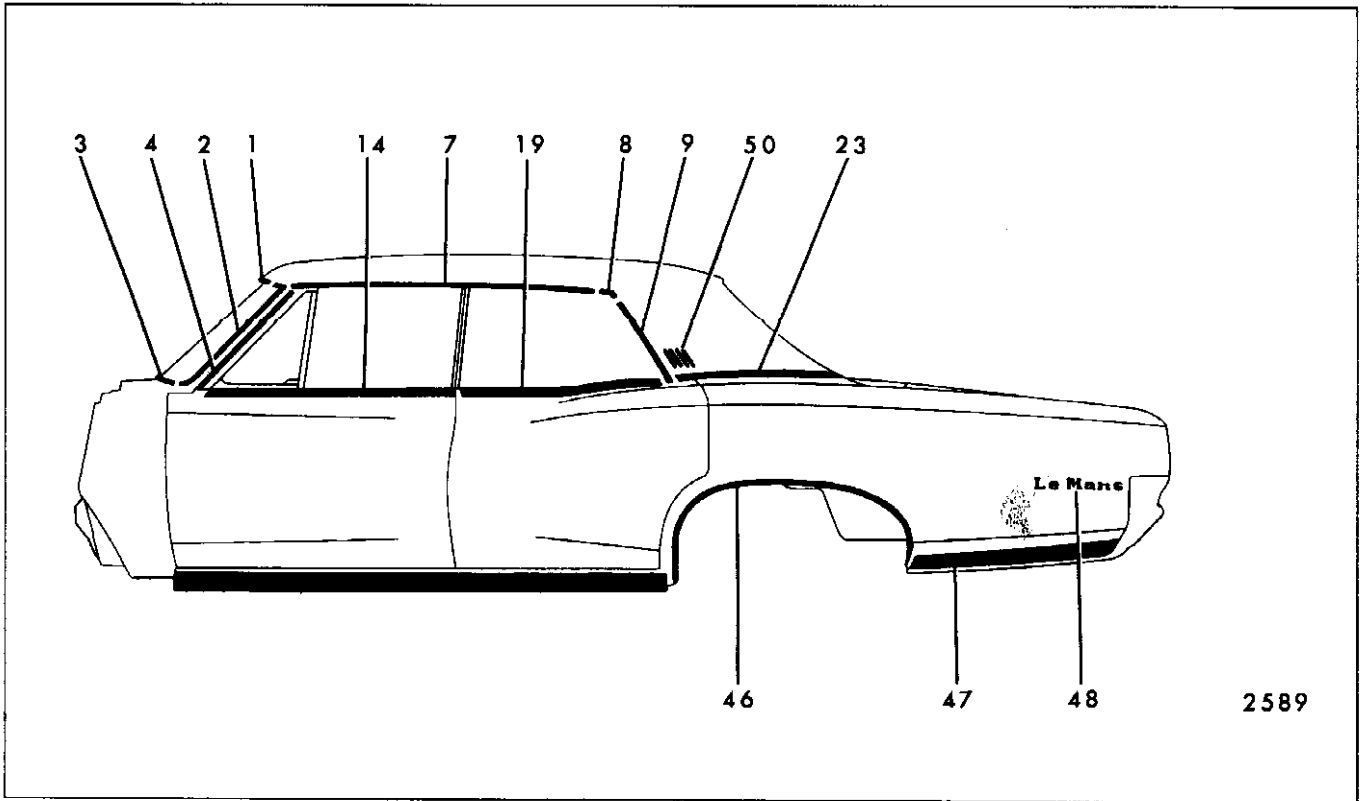


Fig. 17-42—Pontiac "A-39" Styles

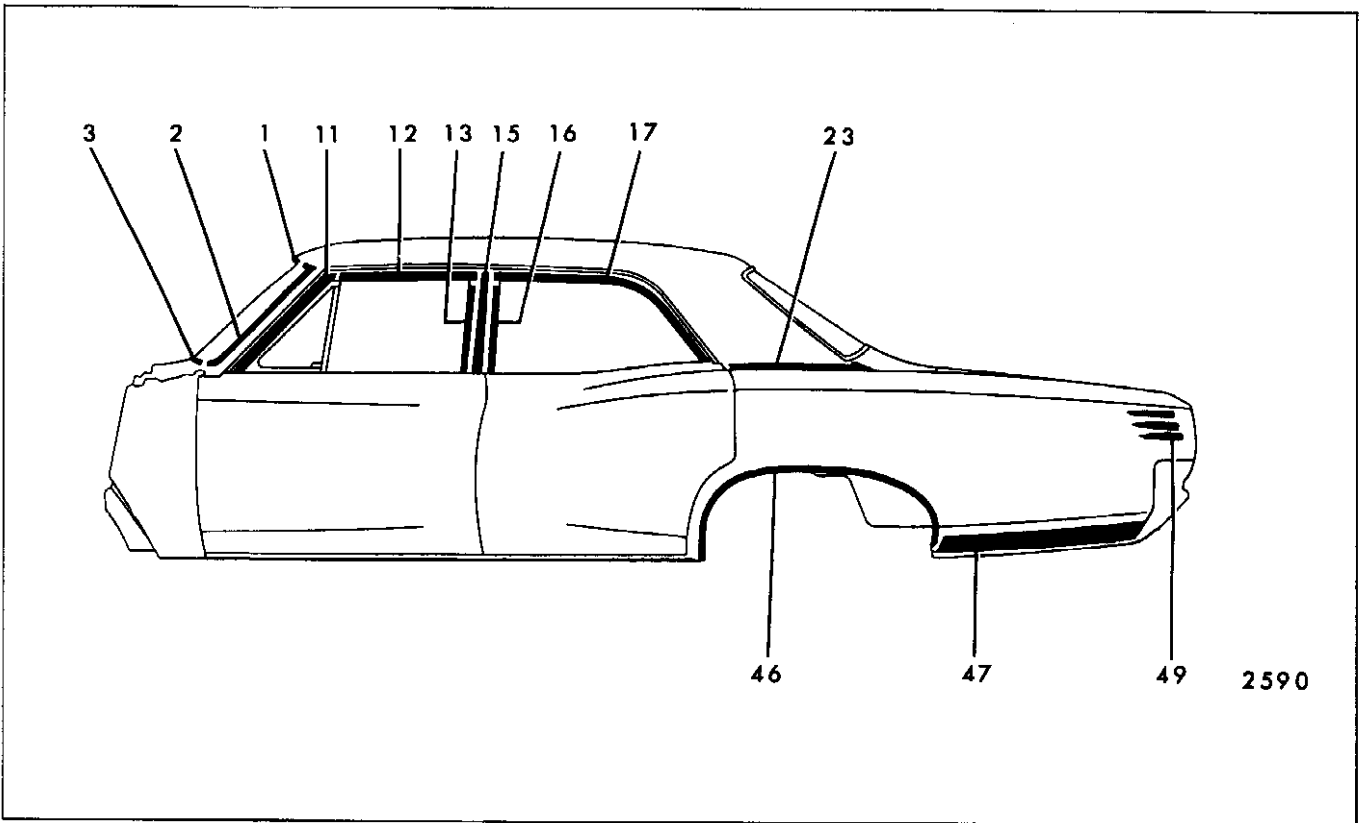


Fig. 17-43—Pontiac "A-69" Styles

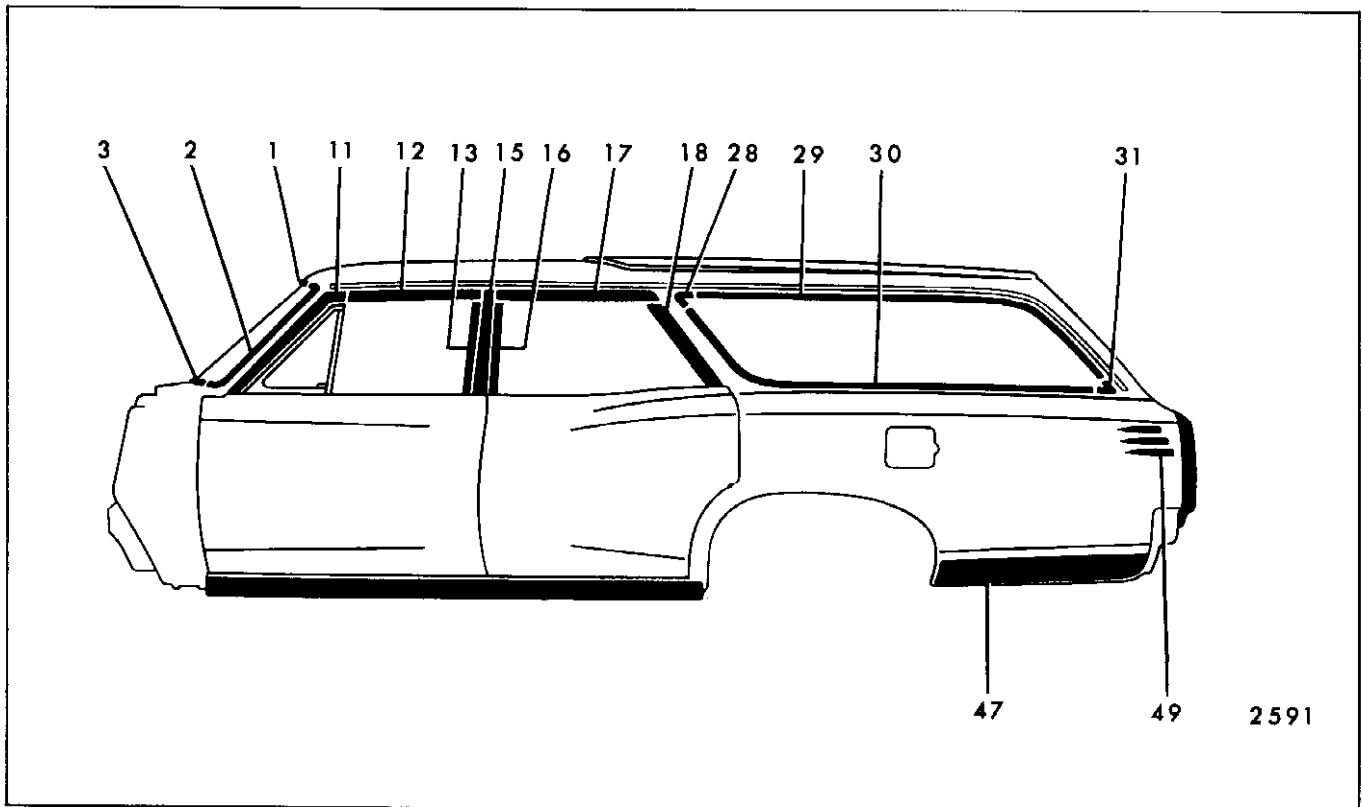


Fig. 17-44—Pontiac "A-35" Styles (Less Wood Grain)

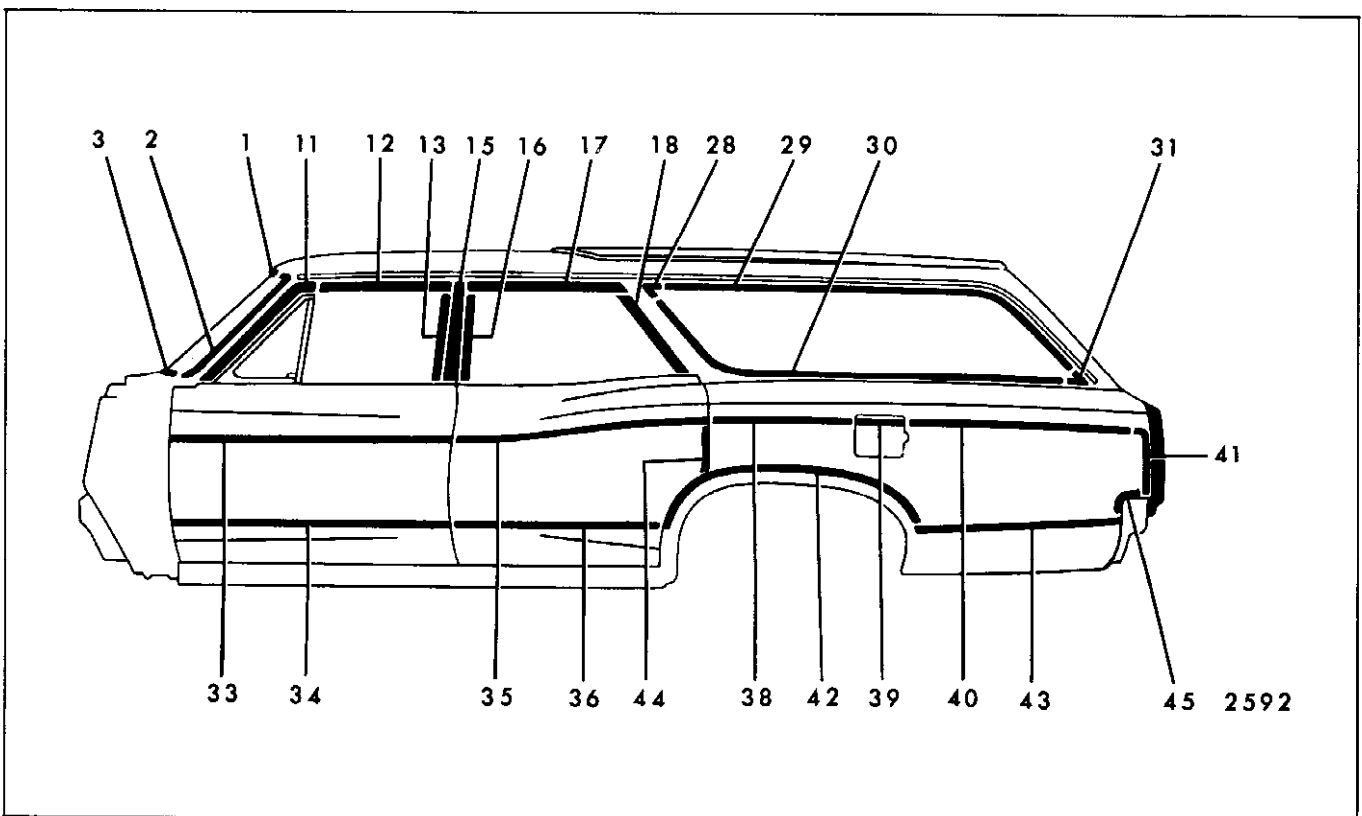


Fig. 17-45—Pontiac 23935 Style

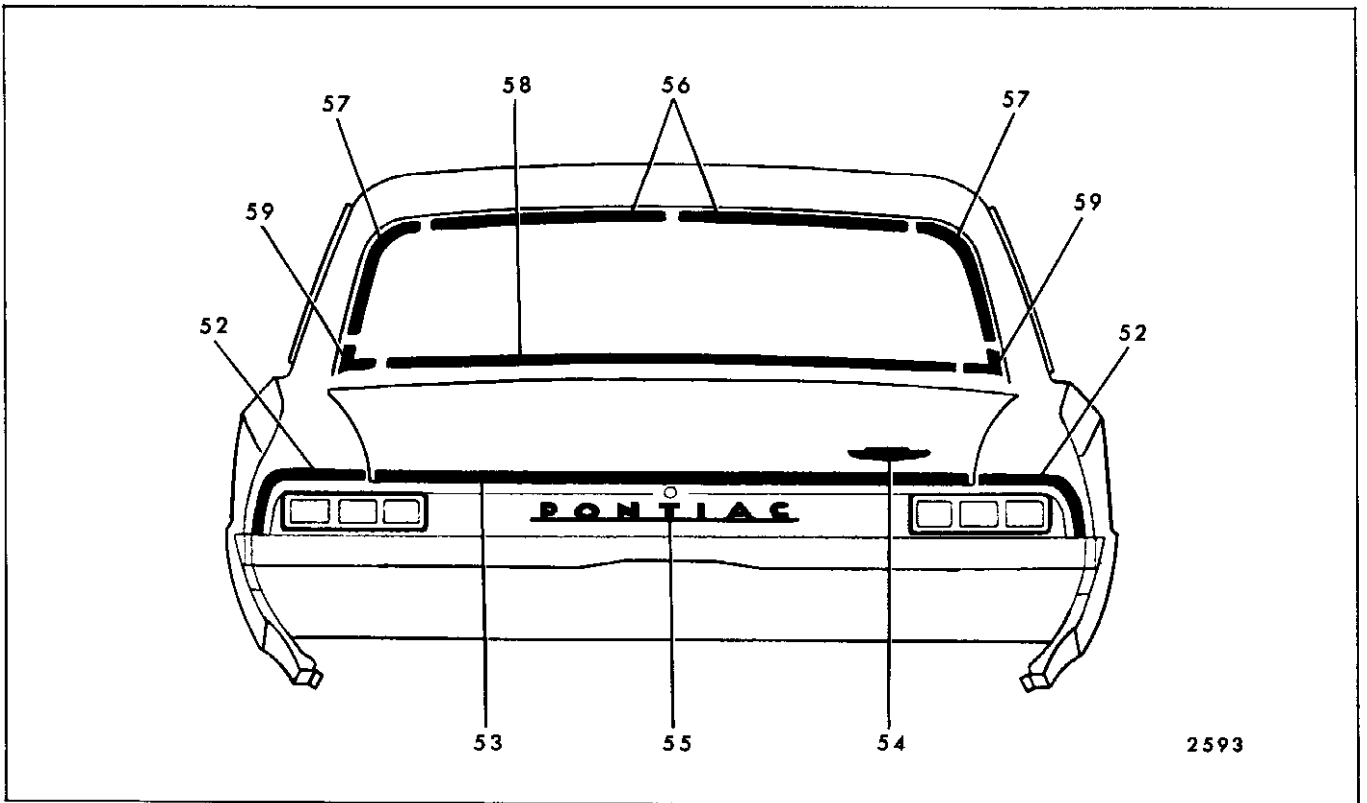


Fig. 17-46—Pontiac 23300-23500-23700 Styles (Except 35 Styles)

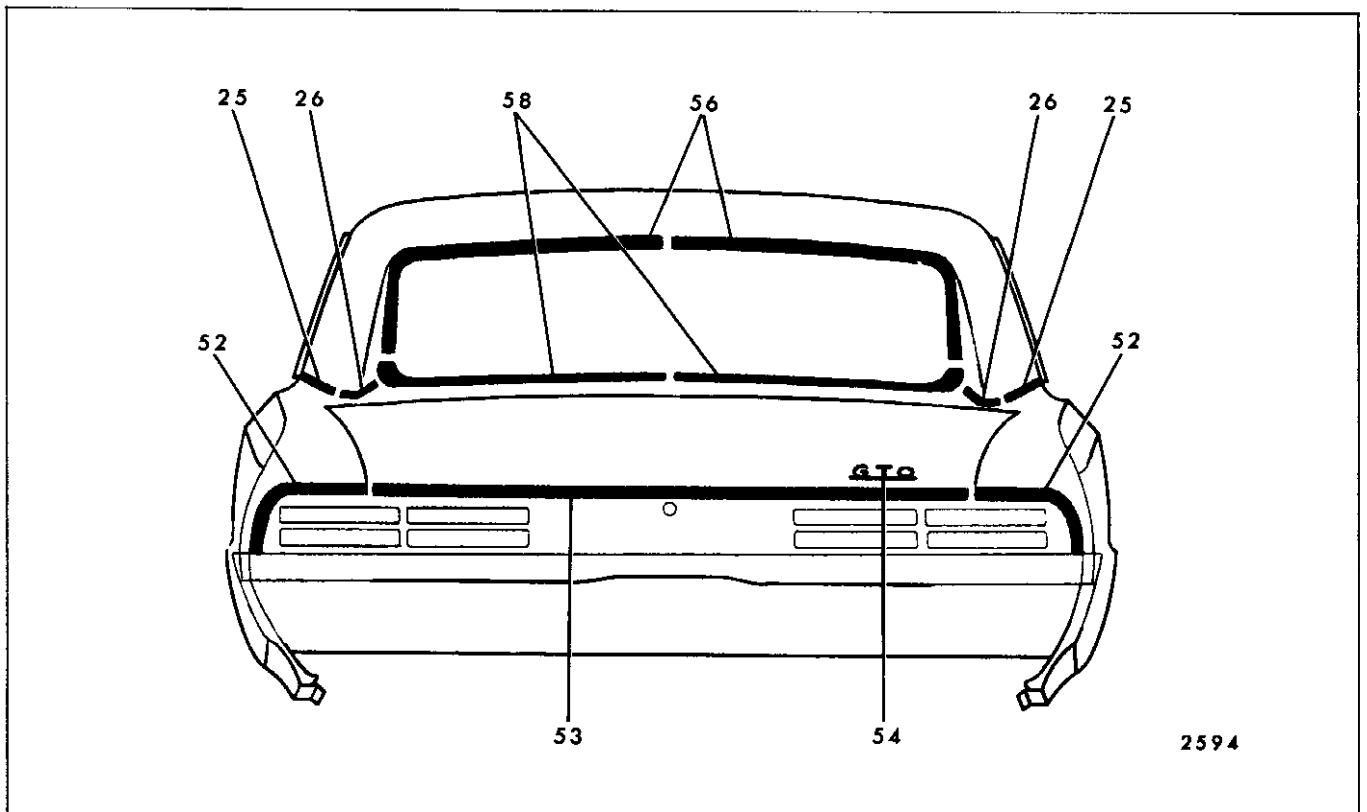


Fig. 17-47—Pontiac 24200 Styles

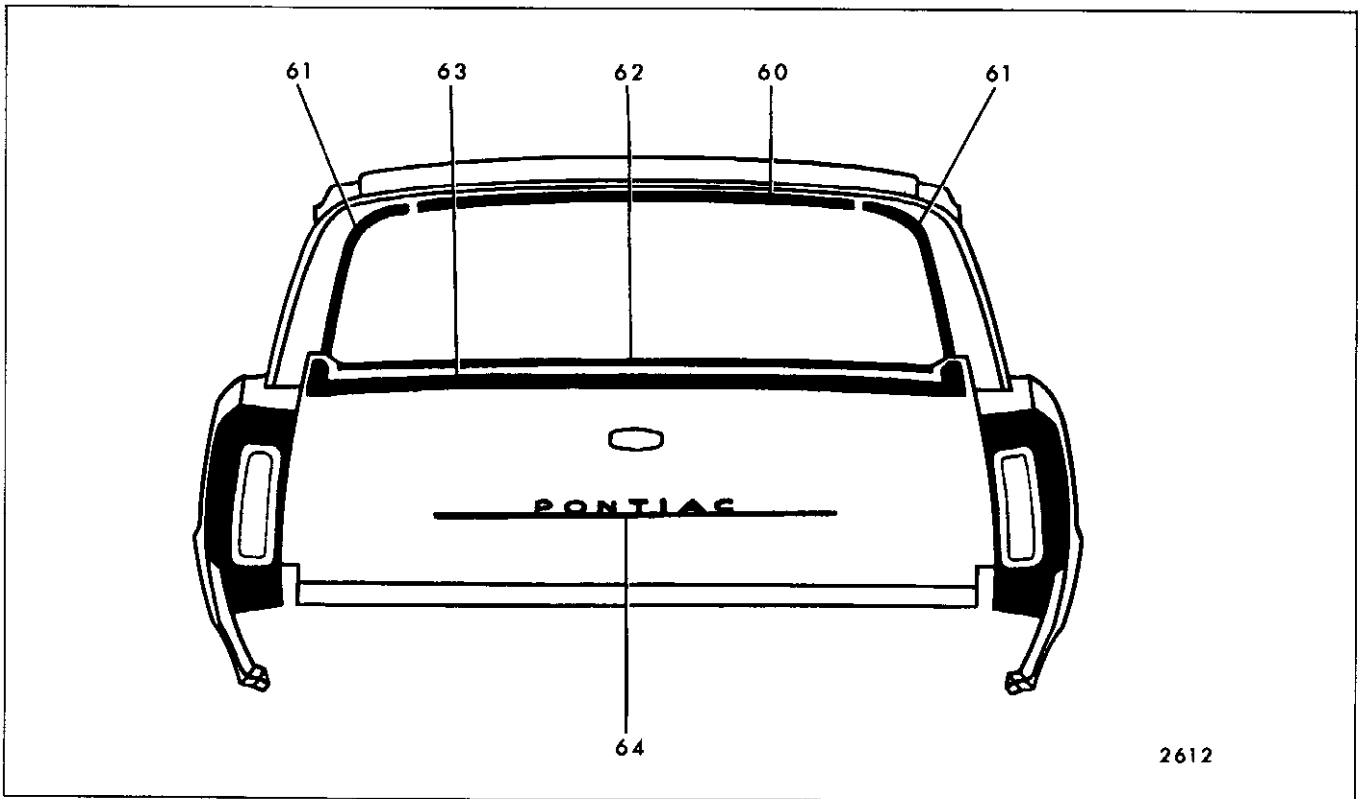


Fig. 17-48—Pontiac "A-35" Styles (Less Wood Grain)

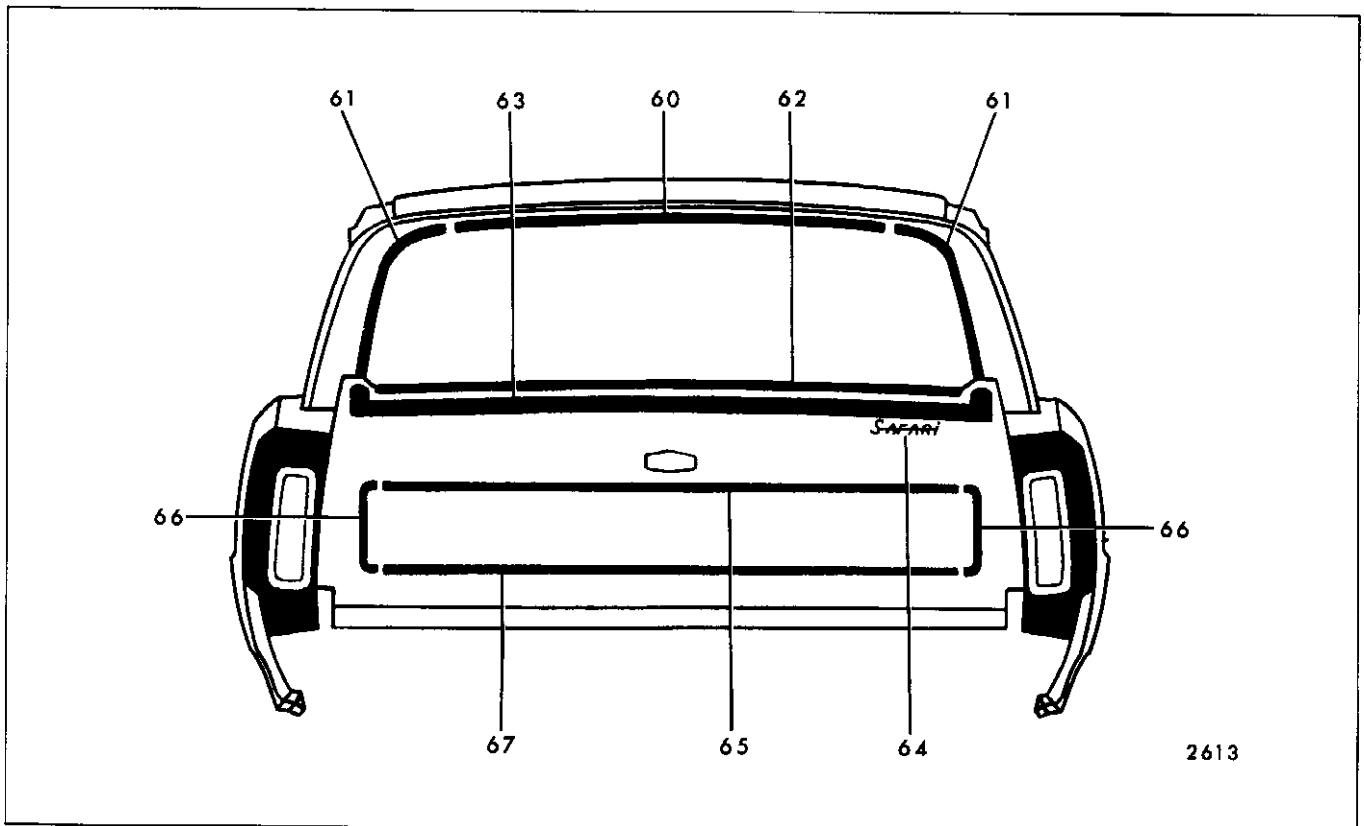


Fig. 17-49—Pontiac 23935 Styles