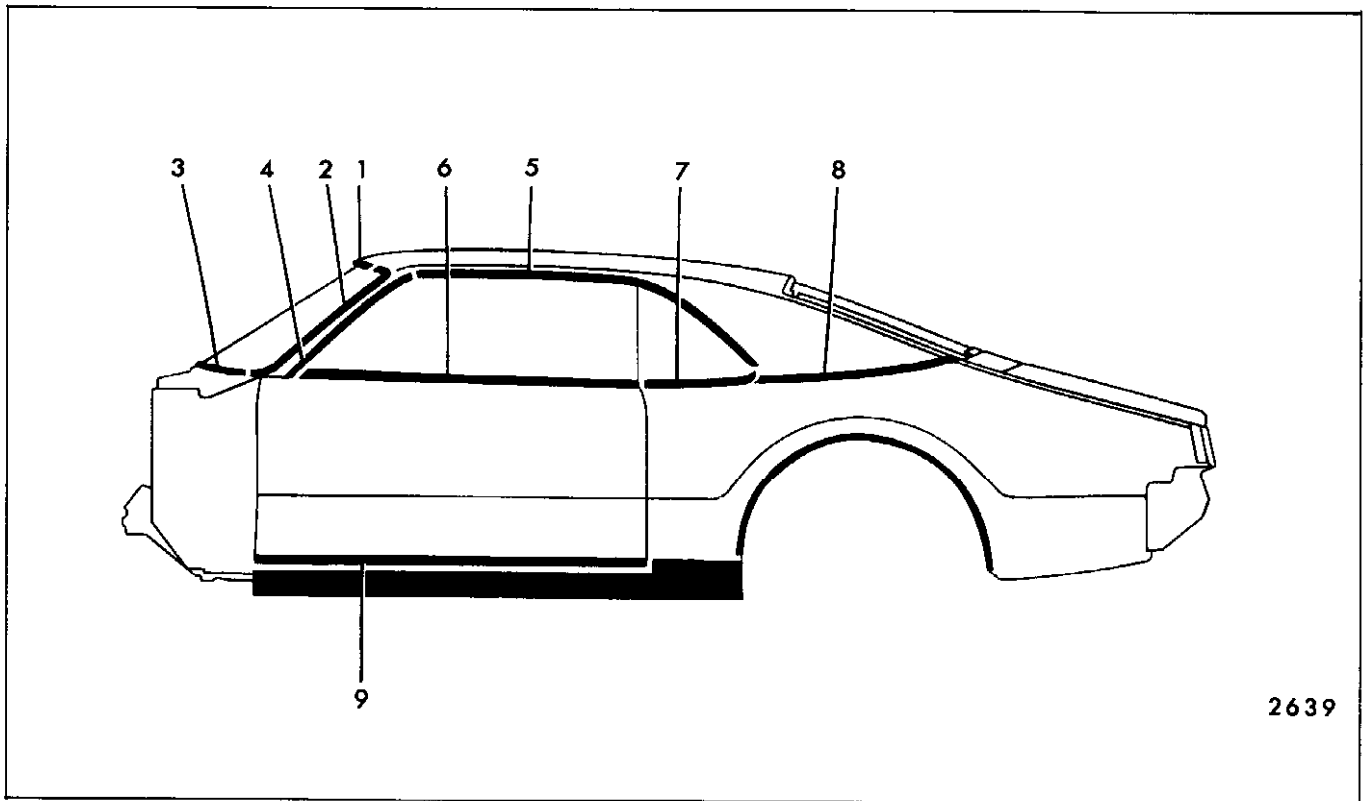


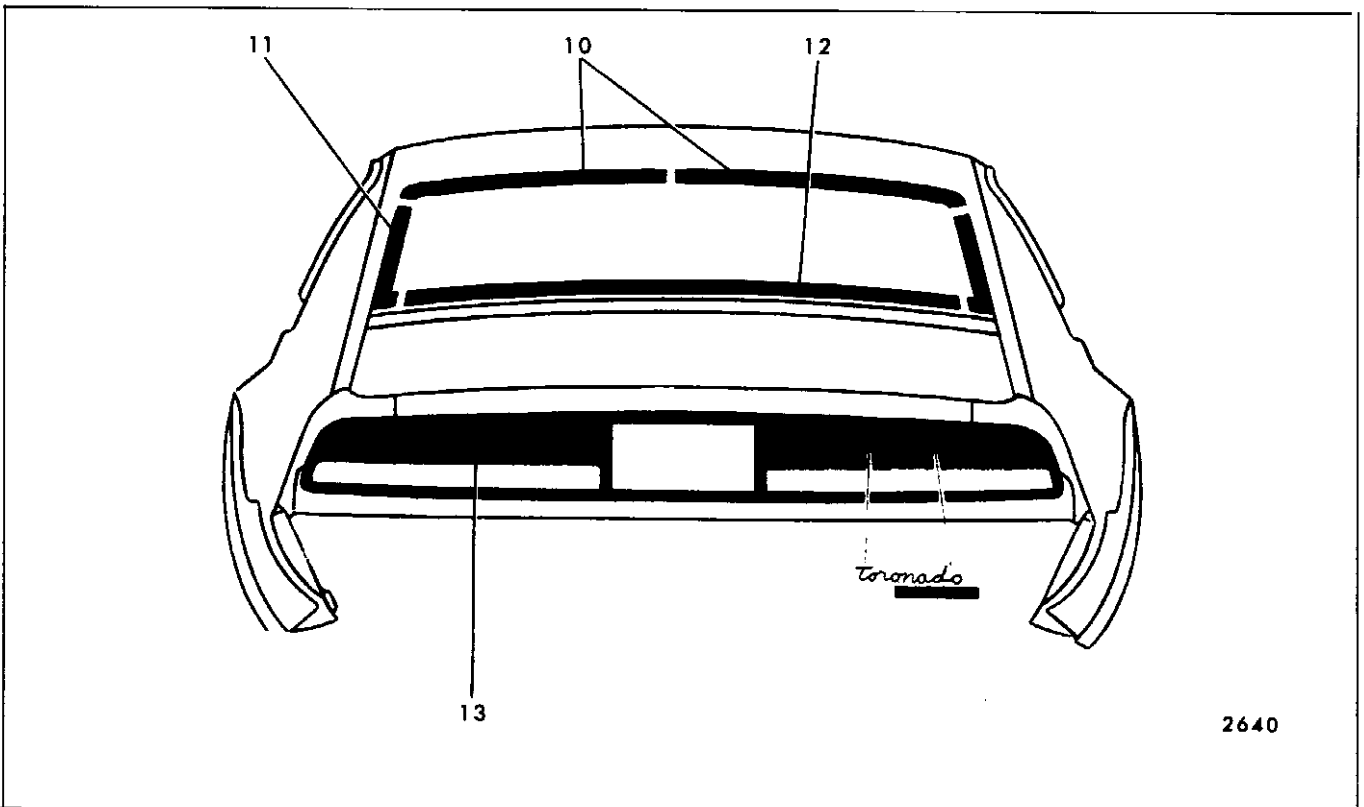
METHODS OF MOLDING RETENTION  
 OLDSMOBILE "E" BODIES - 39000 SERIES  
 FIGURES 17-92 AND 17-93

Key	Molding Name	Series or Styles	Screws	Spring (Self-Retained)	Snap-On Clips or Retainers On Panel	Snap-On Clips On Molding	Studs With Attaching Nuts	Engages With Other Moldings	Remove Hardware Or Trim
1	Windshield Reveal Upper	All			X				
2	Windshield Reveal Side	All			X			Windshield Reveal Upper	
3	Windshield Reveal Lower	All	X					Windshield Reveal Side	Cowl Air Intake Grille
4	Windshield Pillar Drip Molding Scalp	All		X					Windshield Pillar Weatherstrip and Weatherstrip Retainer
5	Roof Drip Molding Scalp	All		X				Windshield Pillar Drip Molding Scalp	
6	Front Door Window Belt Reveal	All	X			X			Rubber Bumper on Front Door Window Lower Stop
7	Rear Quarter Window Belt Reveal	All	X			X		Roof Drip Molding Scalp	Rear Quarter Window
8	Rear Quarter Belt Reveal	All (Optional)			X		X		
9	Front Door Outer Panel	All	X		X				
10	Back Window Reveal Upper	All			X				
11	Back Window Reveal Side	All			X			Back Window Reveal Upper	
12	Back Window Reveal Lower	All			X			Back Window Reveal Side	
13	Rear End Outer Panel	All					X		Loosen Rear Bumper



2639

Fig. 17-92—Oldsmobile 39487-39687 Styles



2640

Fig. 17-93—Oldsmobile 39487-39687 Styles