

Fig. 1B-106 Air System - Body Interior - Tempest

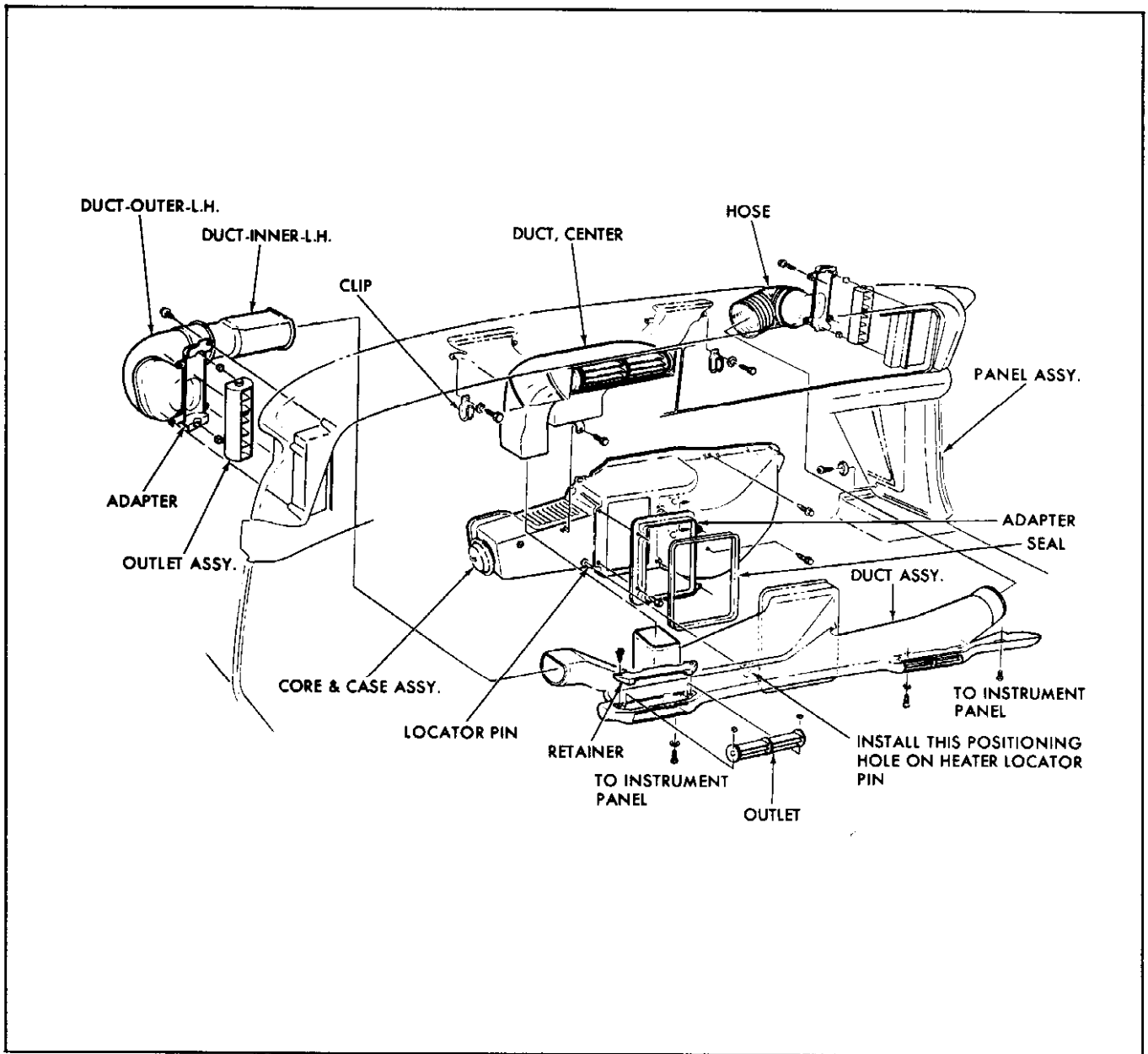


Fig. 1B-107 Air System - Body Interior - Pontiac

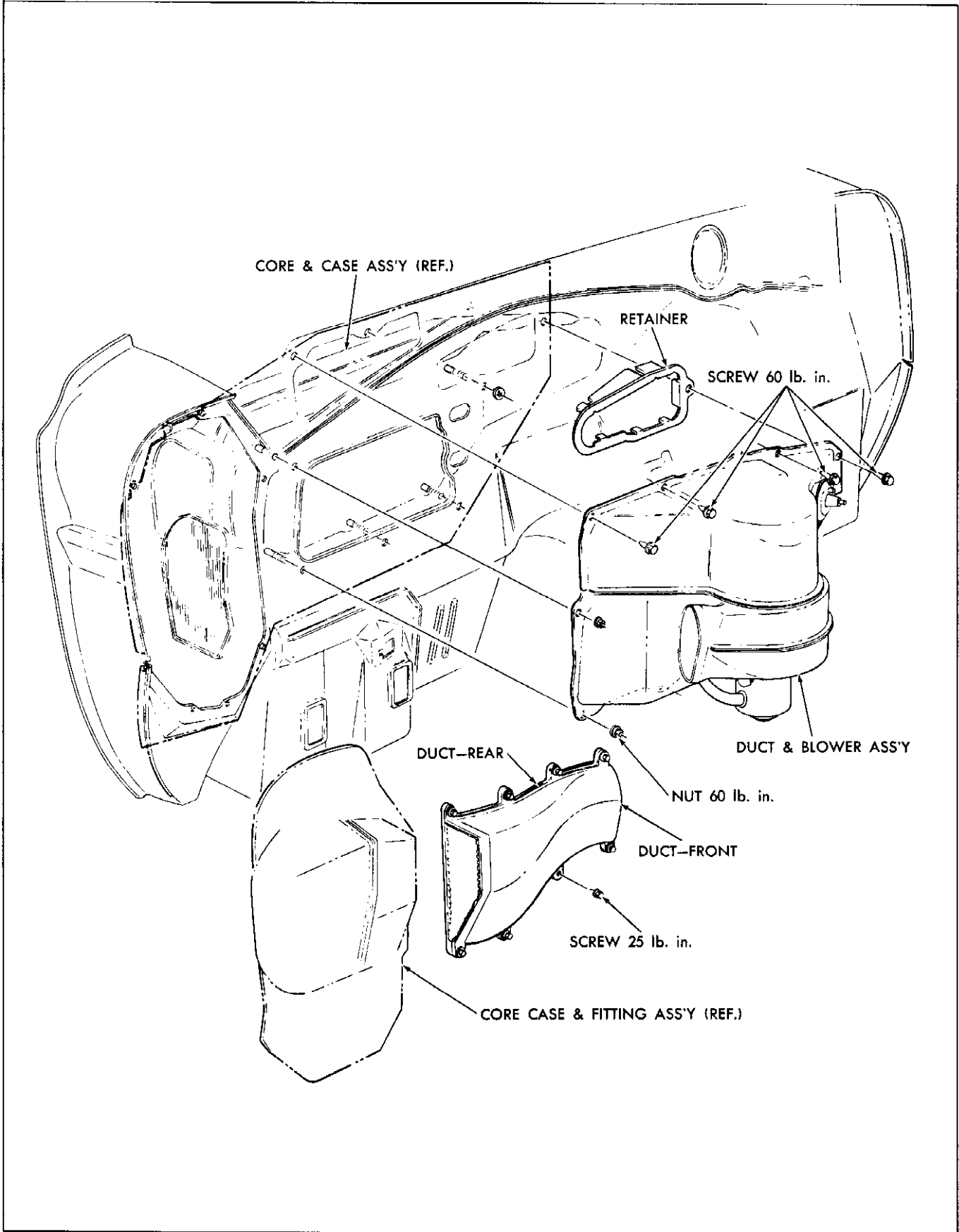


Fig. 1B-108 Air System - Engine Compartment - Tempest

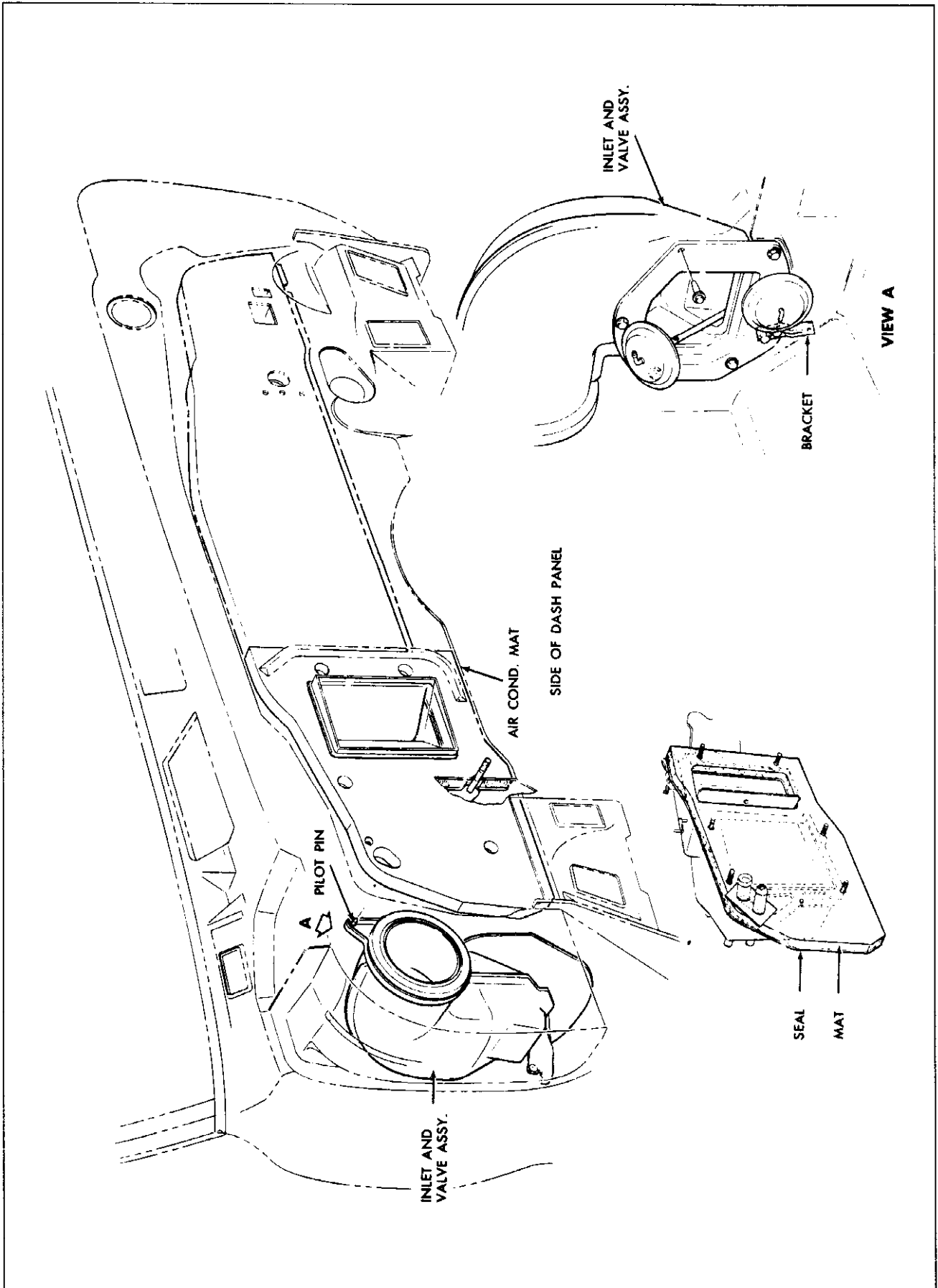


Fig. 1B-109 Air System - Engine Compartment - Pontiac

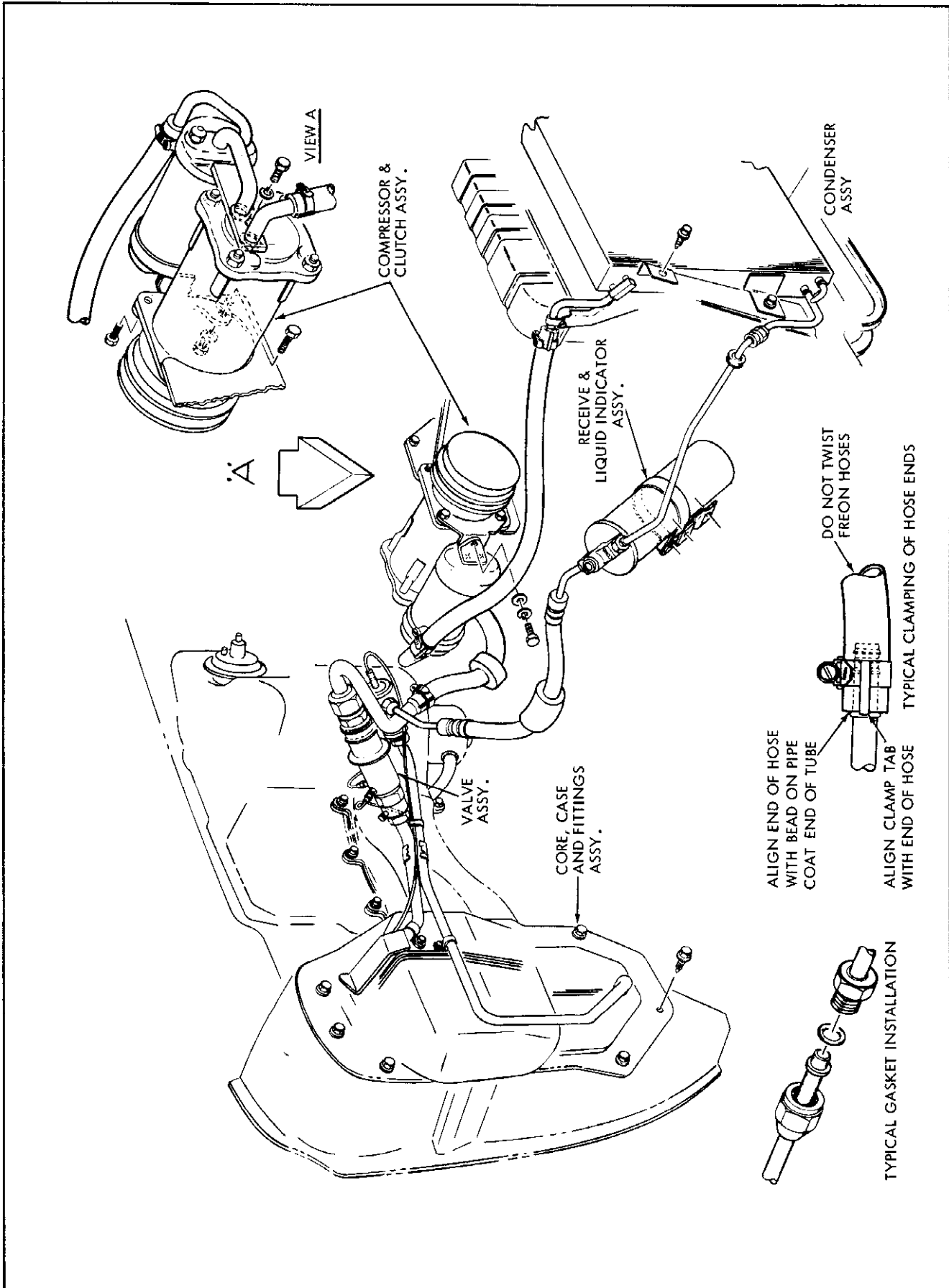


Fig. 1B-110 Refrigeration System Components - Tempest - 6 Cyl. Engine

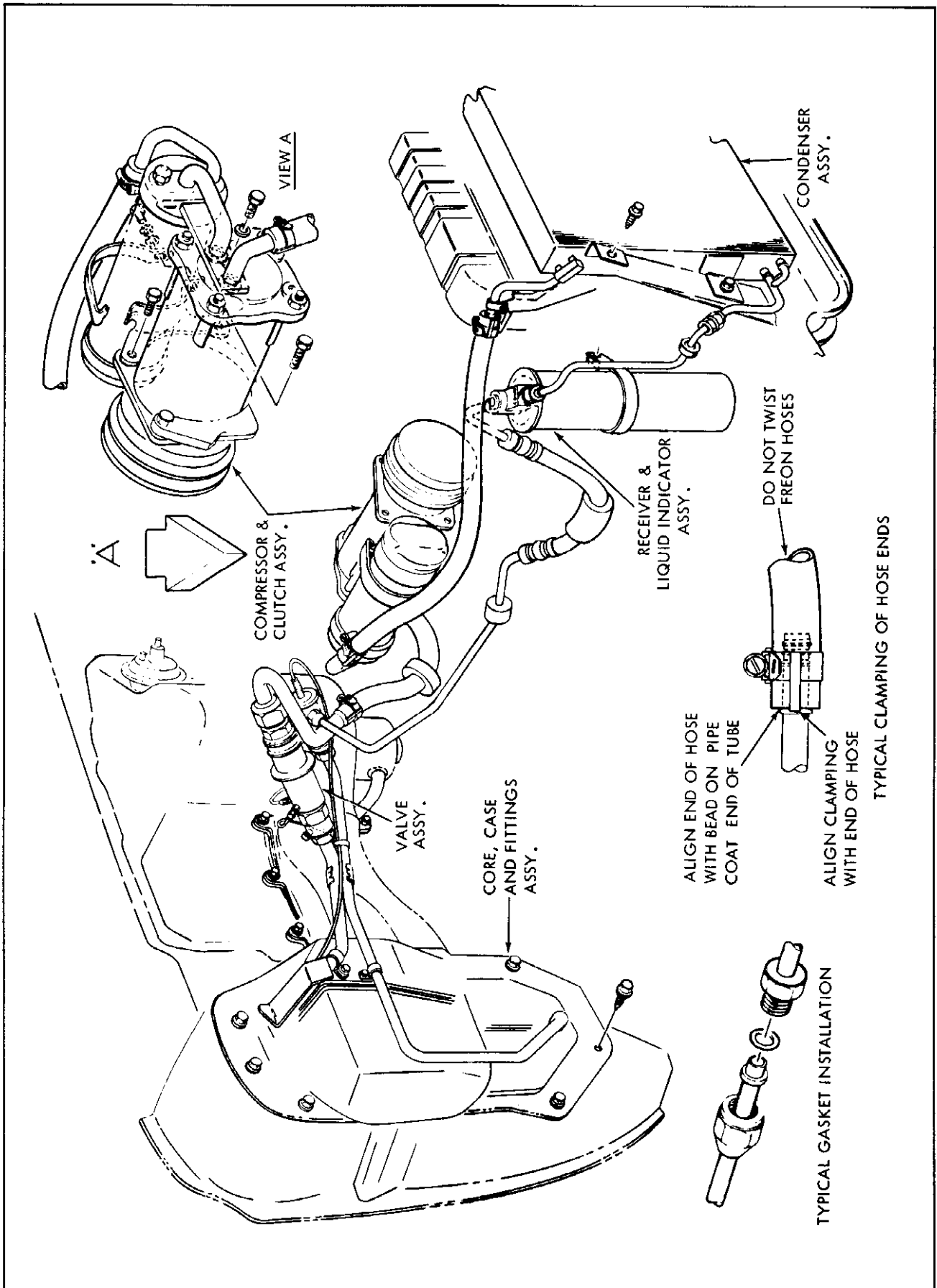


Fig. 1B-111 Refrigeration System Components - Tempest - 8 Cyl. Engine

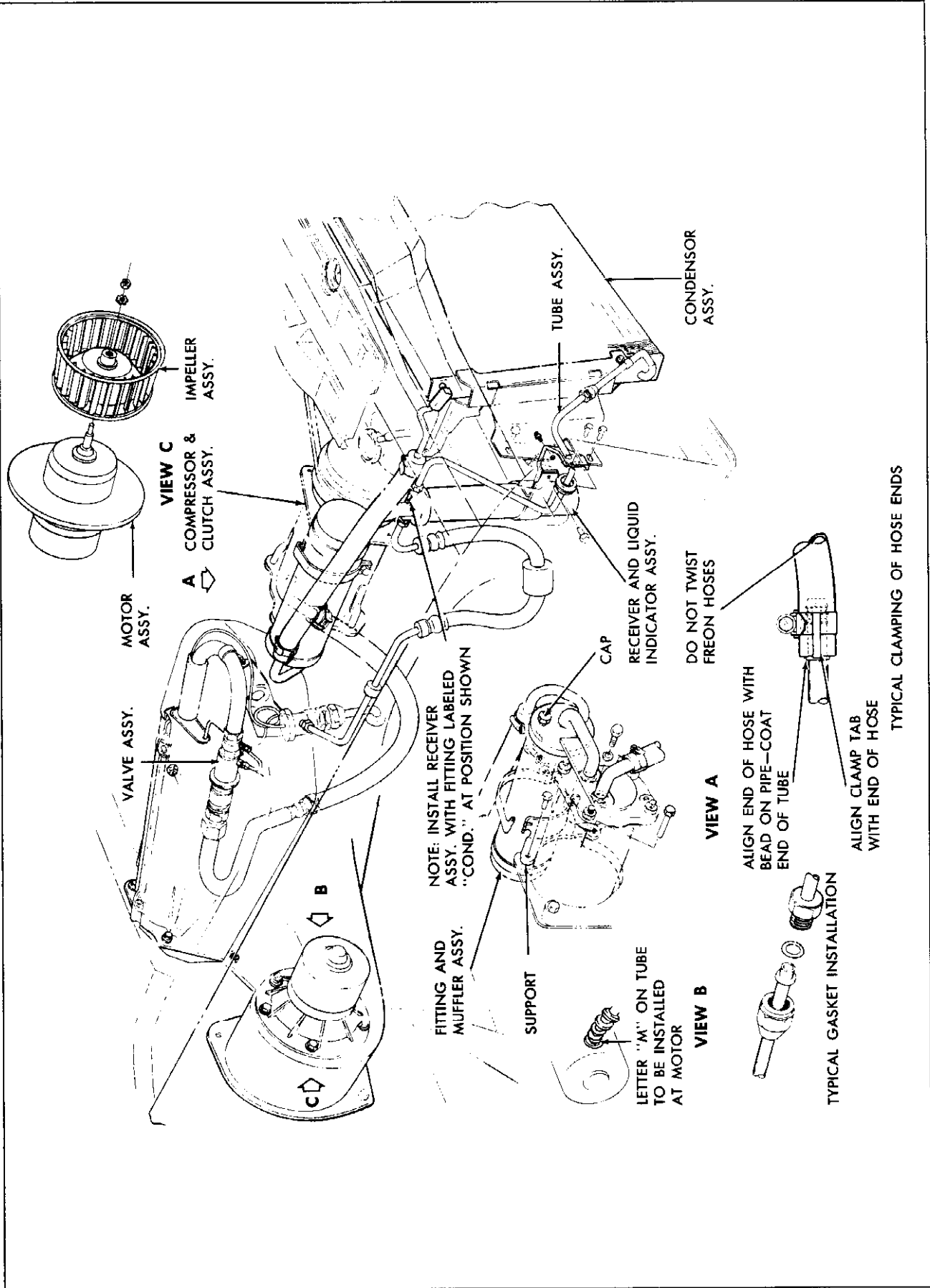


Fig. 1B-112 Refrigeration System Components - Pontiac

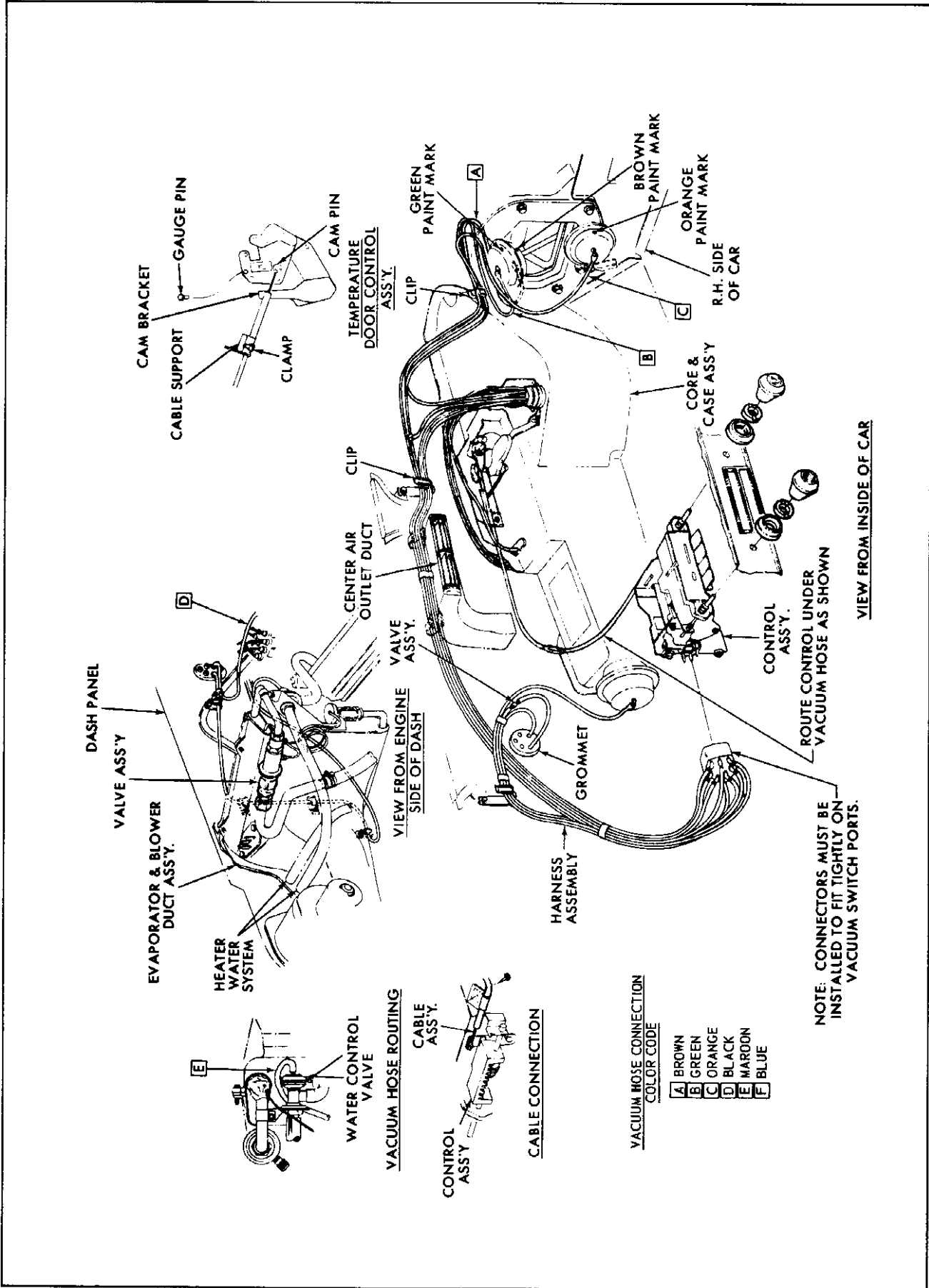


Fig. 1B-114 Vacuum Lines and Control Cable - Pontiac

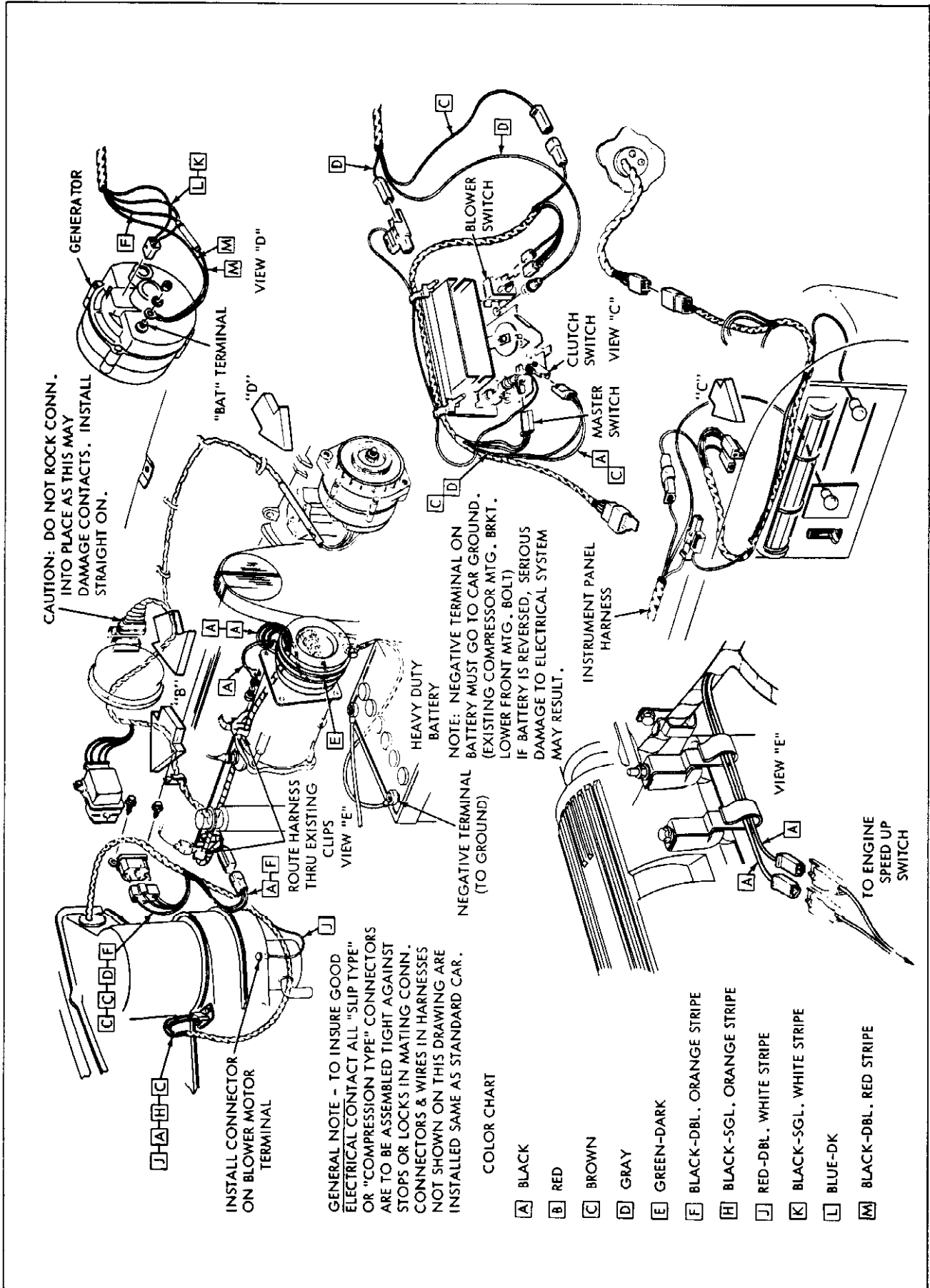


Fig. 1B-11:5 Electrical Parts - Tempest - 6 Cyl. Engine

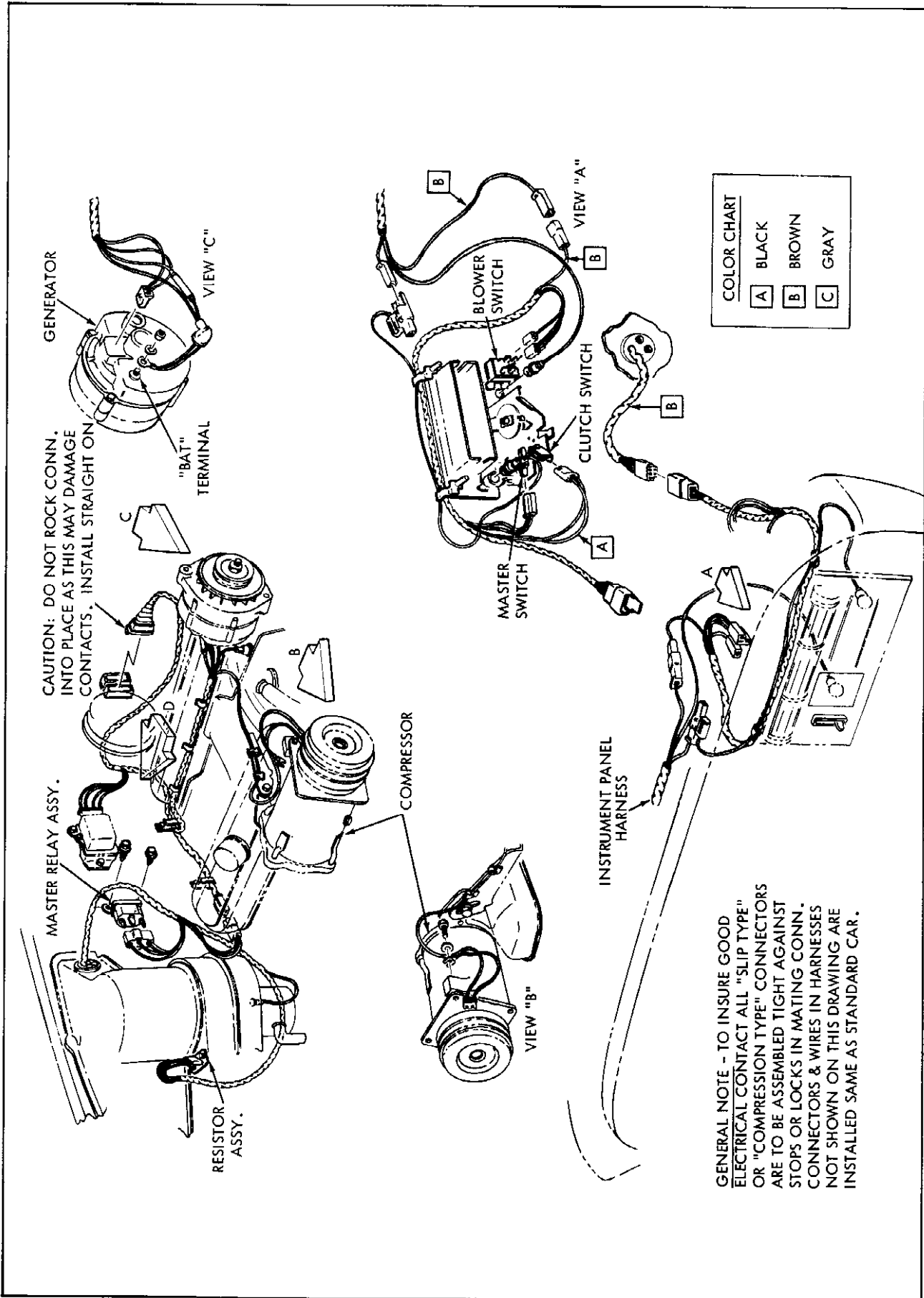


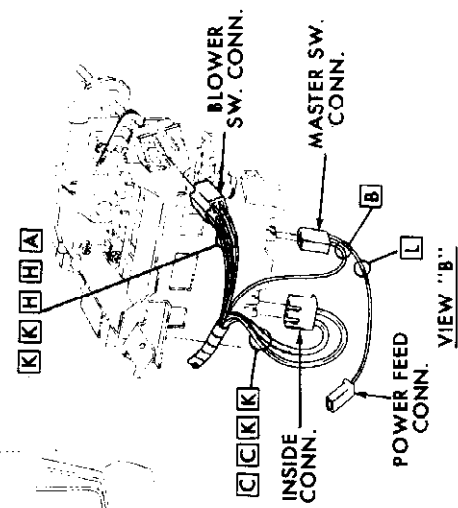
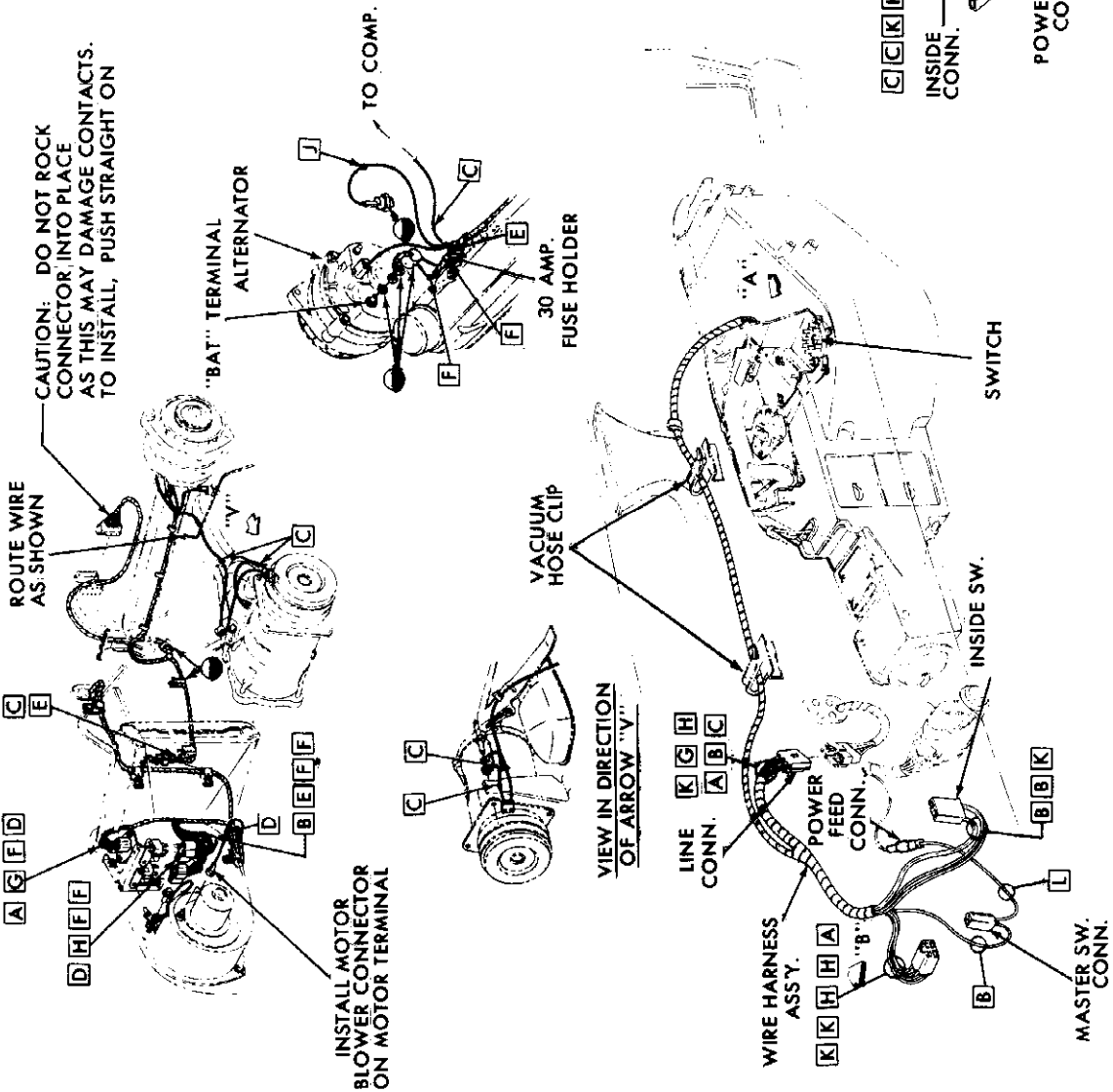
Fig. 1B-116 Electrical Parts - Tempest - 8 Cyl. Engine

WIRE COLOR CHART

A	DARK BLUE-DBL. WHITE STRIPE
B	GRAY
C	BLACK
D	DARK BLUE
E	BLACK-DBL. ORANGE STRIPE
F	BLACK-DBL. RED STRIPE
G	BLACK-DBL. WHITE STRIPE
H	BLACK-DBL. YELLOW STRIPE
J	DARK GREEN
K	BLACK-56L. RED STRIPE
L	BROWN

SYMBOLS INDICATE

- REVISIONS
- PART OF DESIGNATION
- EXISTING ITEM



VIEW "A"

VIEW "B"

VIEW IN DIRECTION OF ARROW "V"

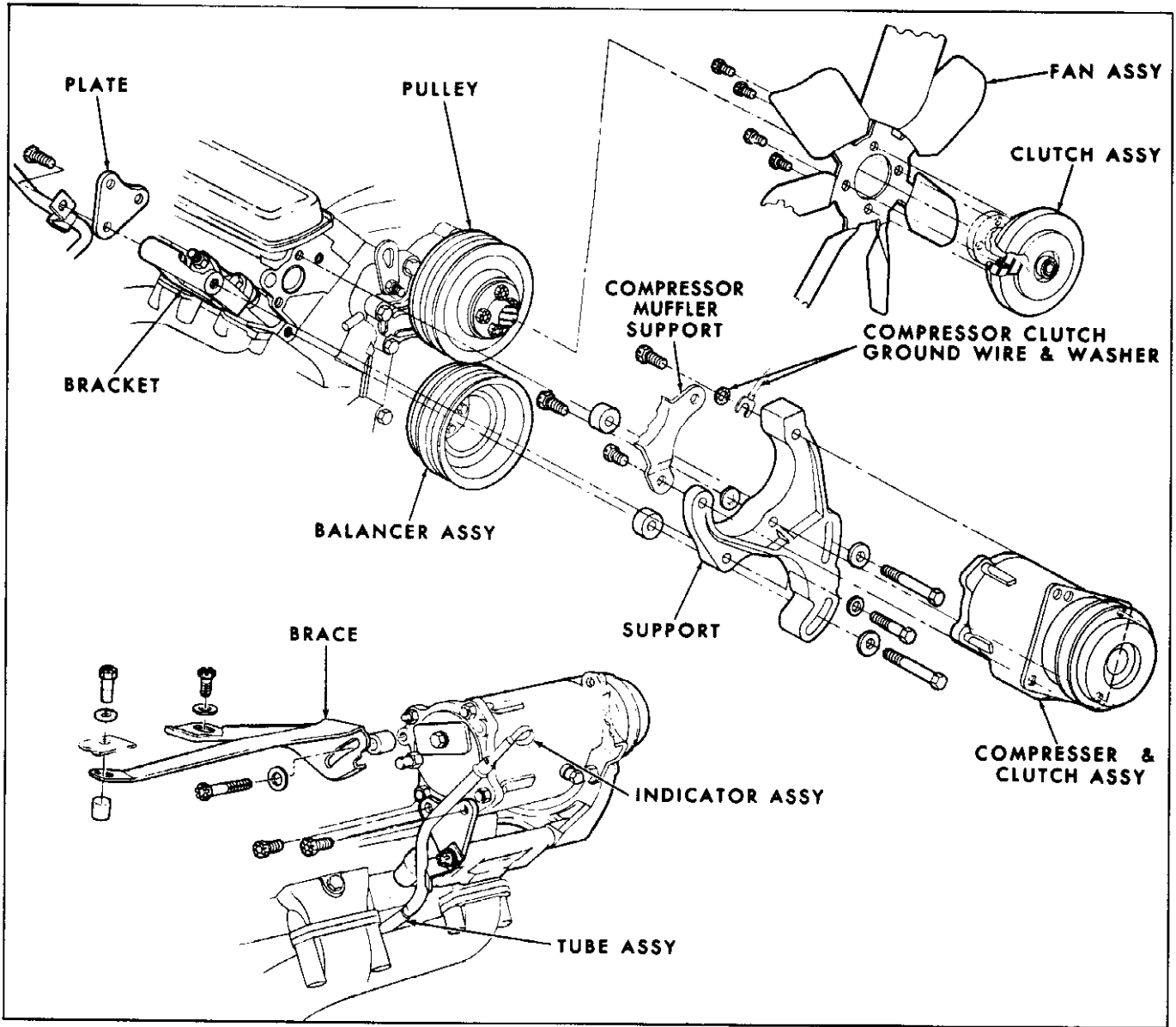


Fig. 1B-118 Engine Parts - Pontiac and Tempest - 8 Cyl.

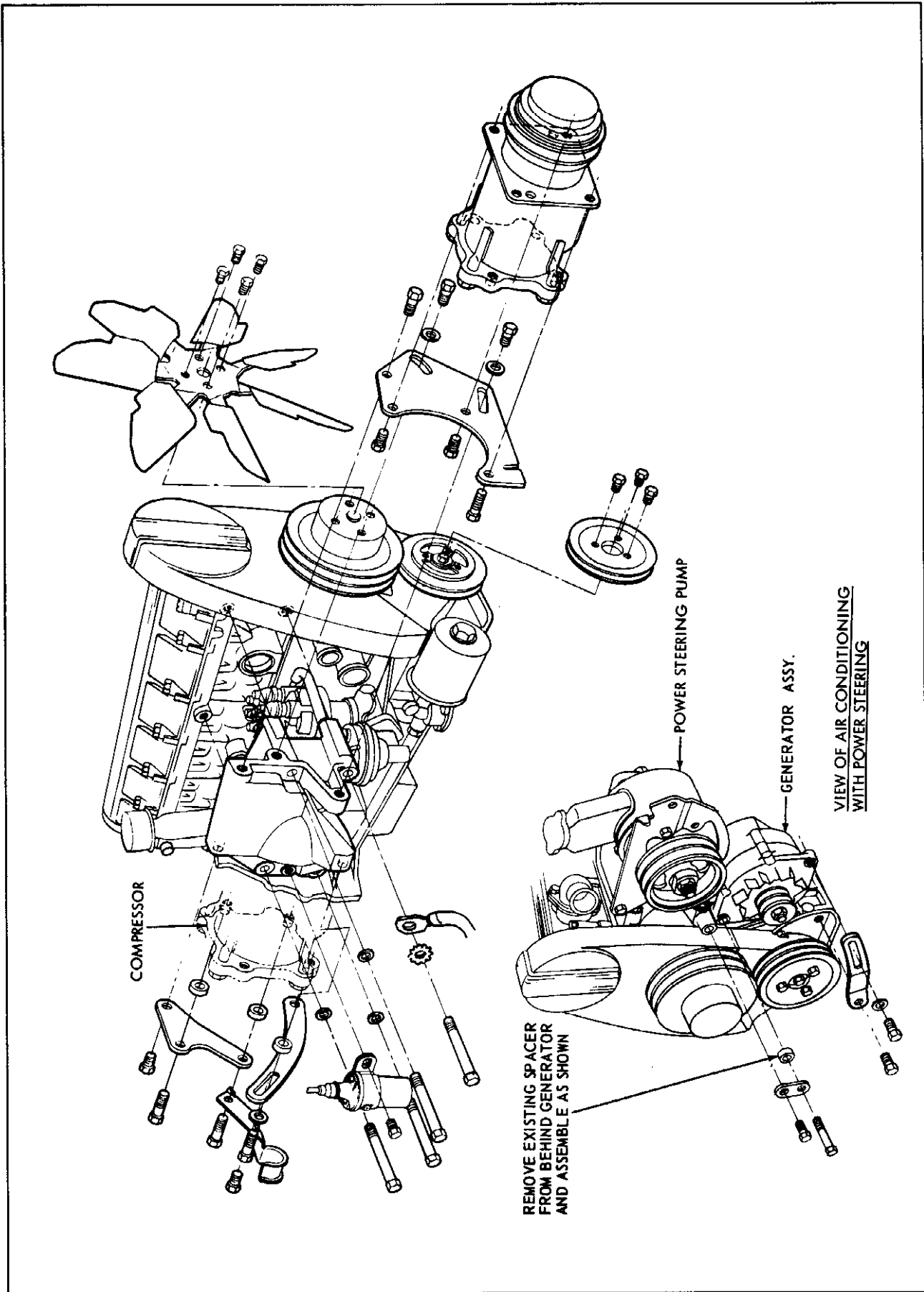


Fig. 1B-119 Engine Parts - Tempest - 6 Cyl.